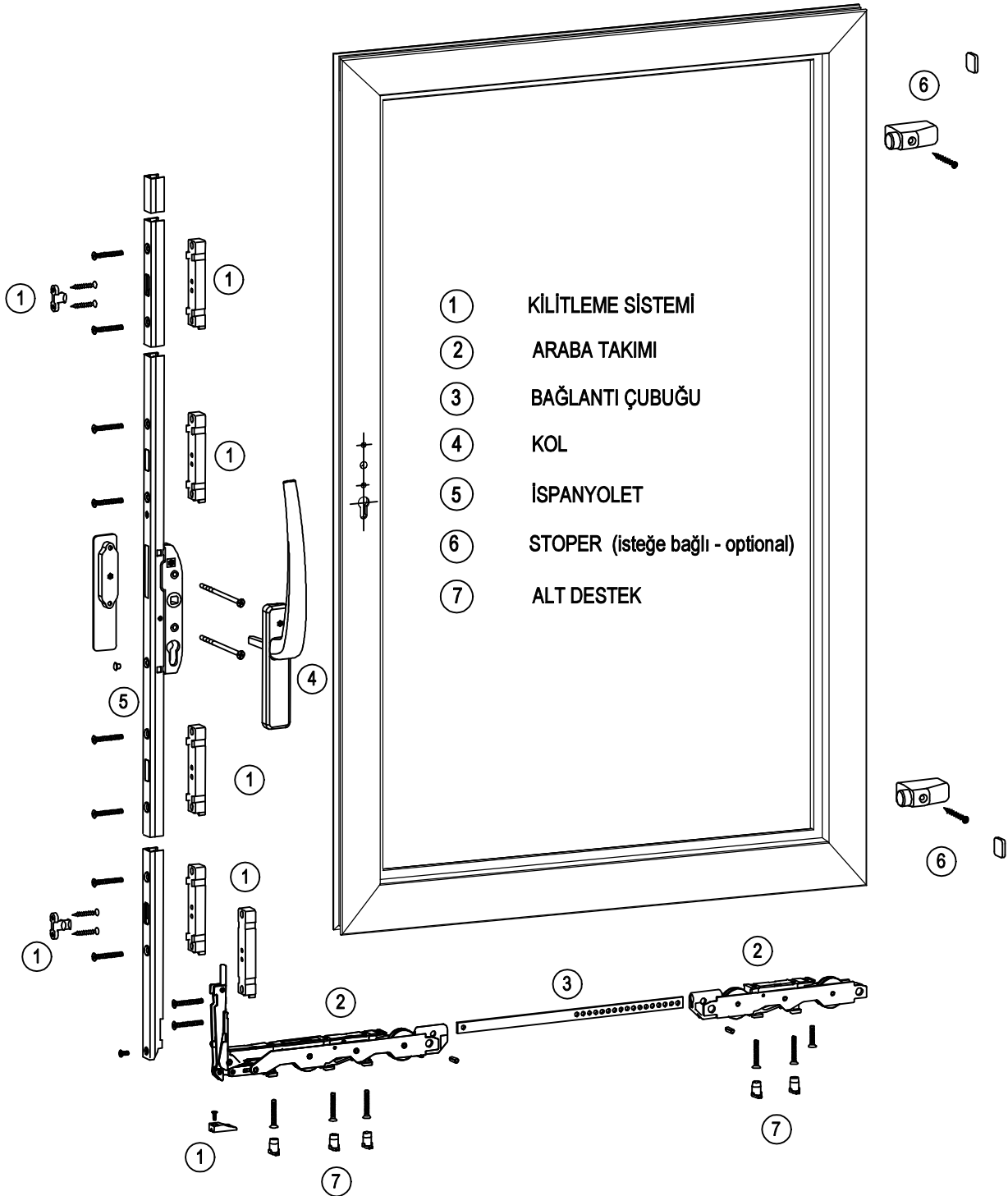


LS60 - 1,8mm

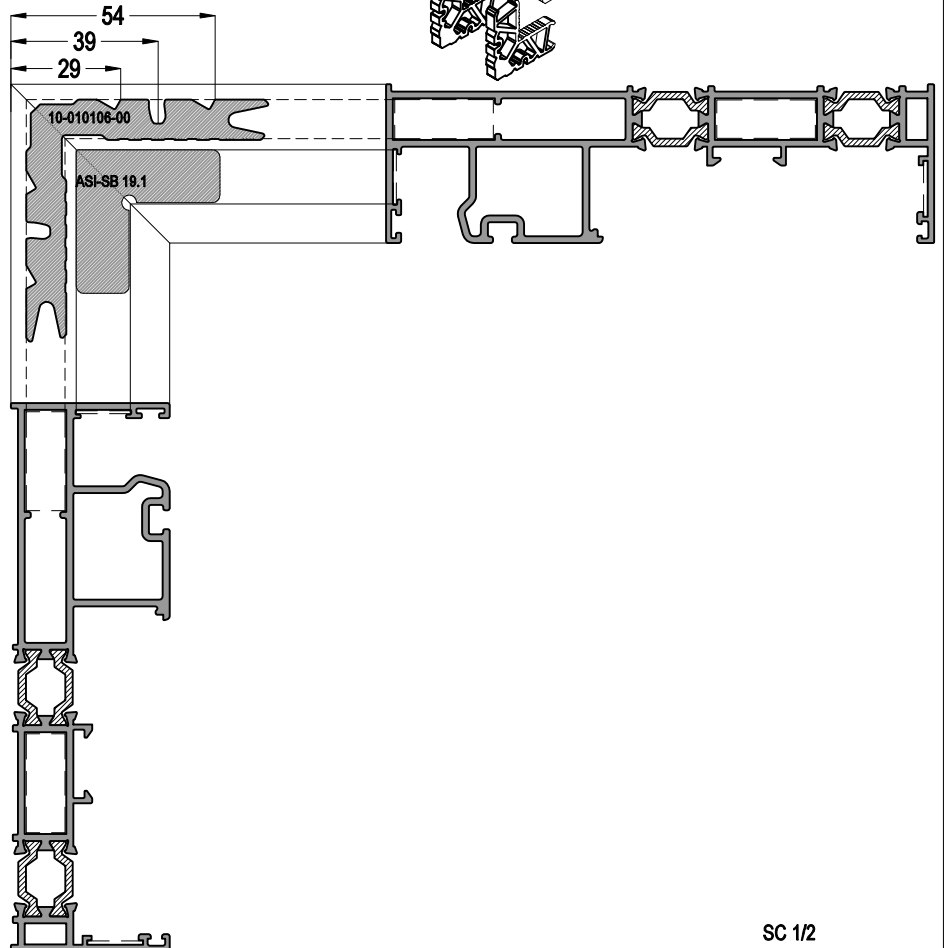
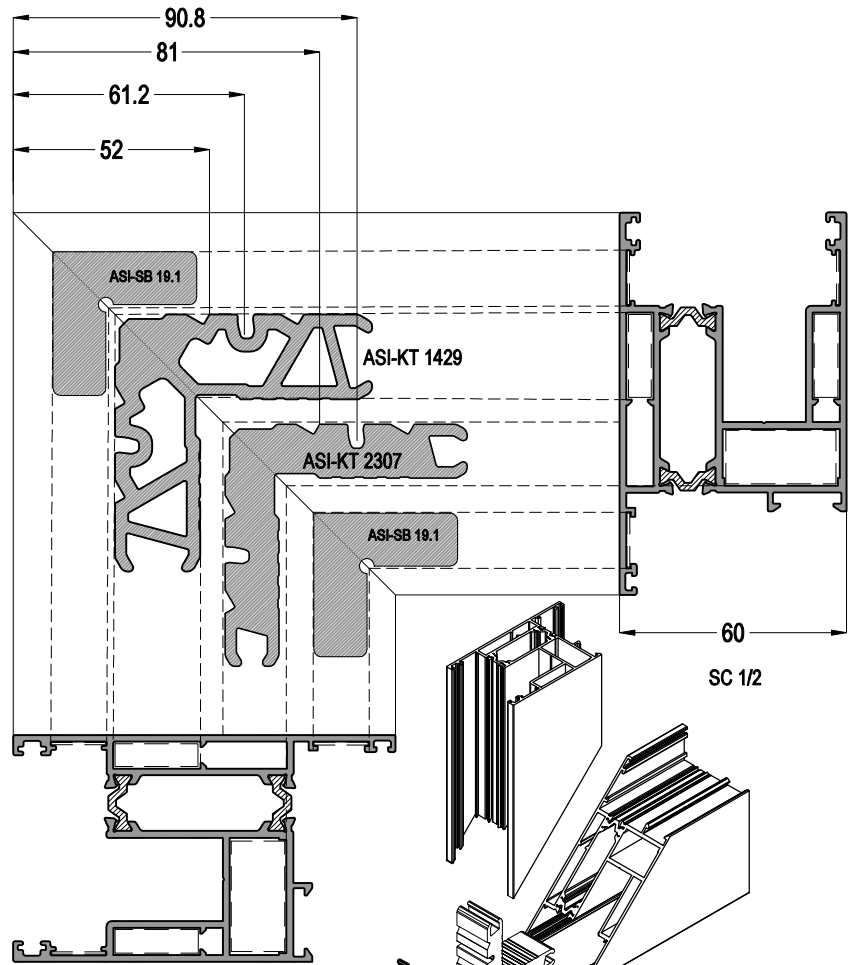
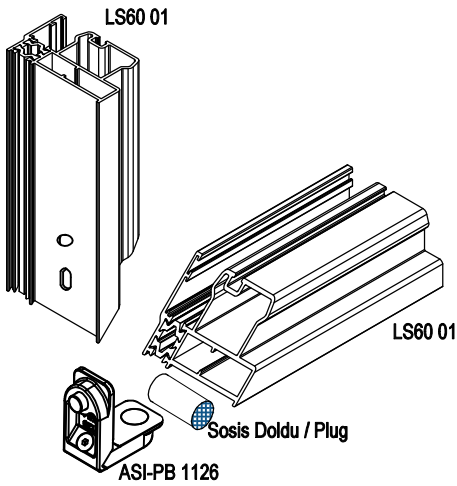
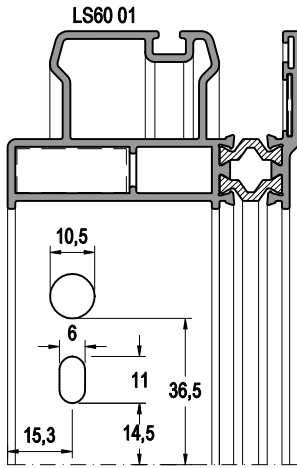
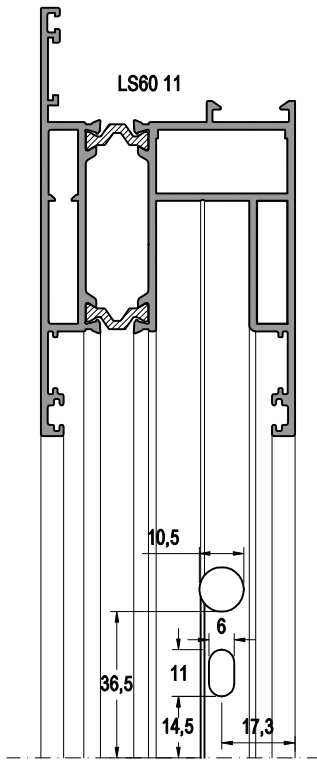
YALITIMLI KALDIR-SÜR SİSTEMİ
THERMAL LIFT&SLIDE SYSTEM

ASISTAL

KESİM VE MONTAJ ÇİZİMLERİ
CUTTING & ASSEMBLY DRAWINGS

KALDIR-SÜR MEKANİZMASI MONTAJ ŞEMASI - LS60 MEK ve MEK2 İÇİN
LIFT & SLIDING MECHANISM INSTALLATION FOR LS60 MEK1 & MEK2

KANAT - KASA KÖŞE BAĞLANTI MONTAJI ASSEMBLY FOR FRAME & SASH

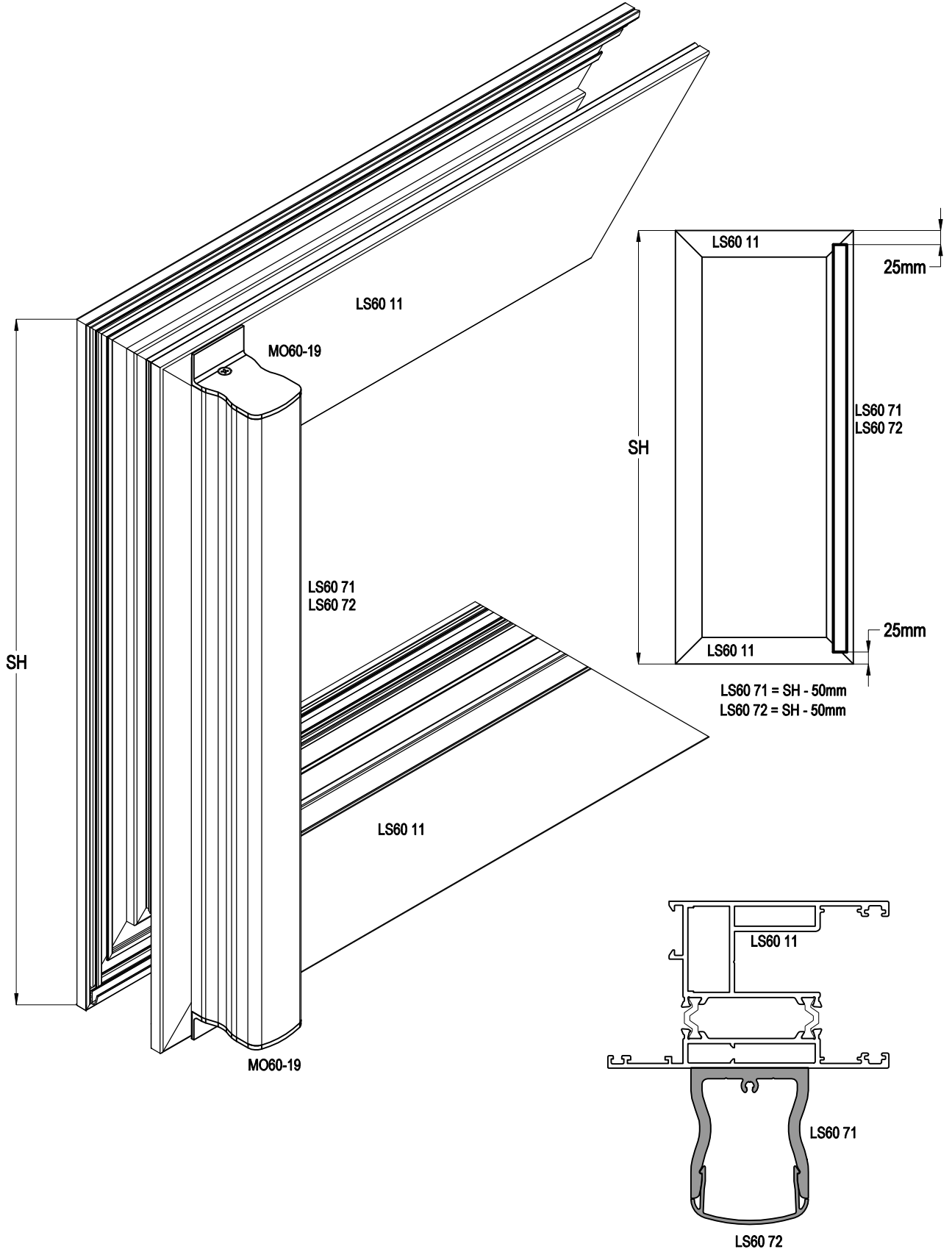


LS60

YALITIMLI KALDIR-SÜR SİSTEM
THERMAL LIFT&SLIDE SYSTEM

ASISTAL

TAKVİYE KOL BAĞLANTI MONTAJI
ASSEMBLY FOR SUPPORTED HANDLE PROFILE

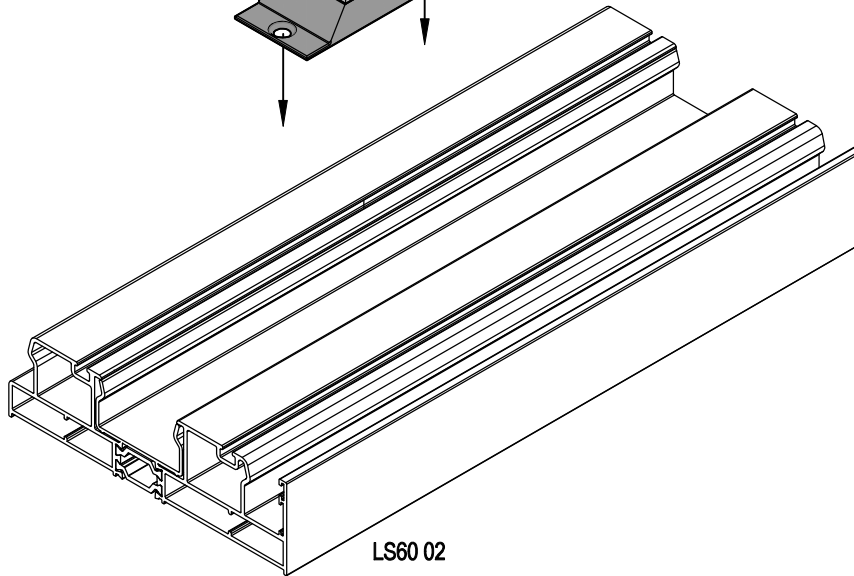
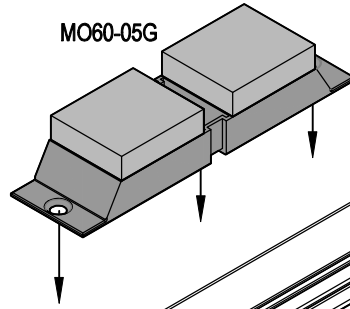
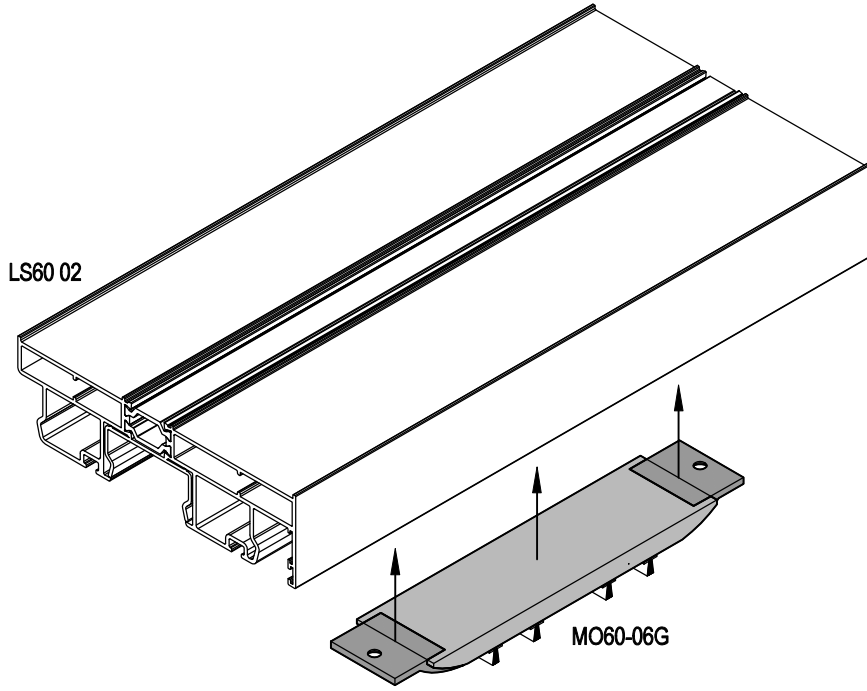


LS60

YALITIMLI KALDIR-SÜR SİSTEM
THERMAL LIFT&SLIDE SYSTEM



ALT-ÜST HAVA KESİCİ MONTAJI
ASSEMBLY FOR CENTRAL SEALING- TOP & BOTTOM

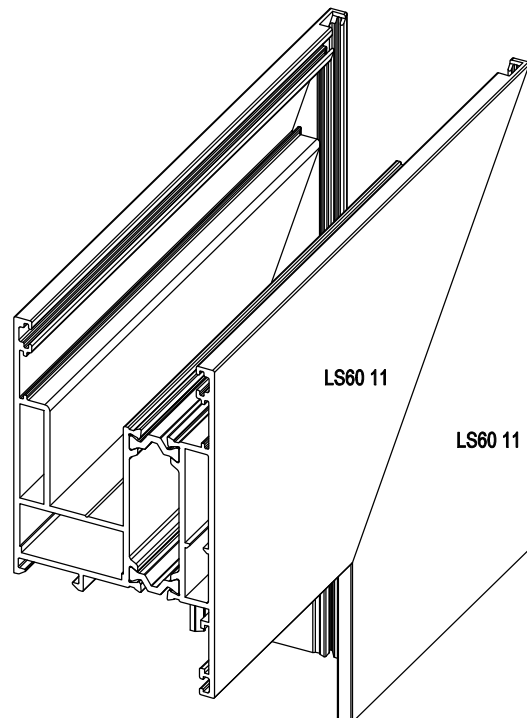
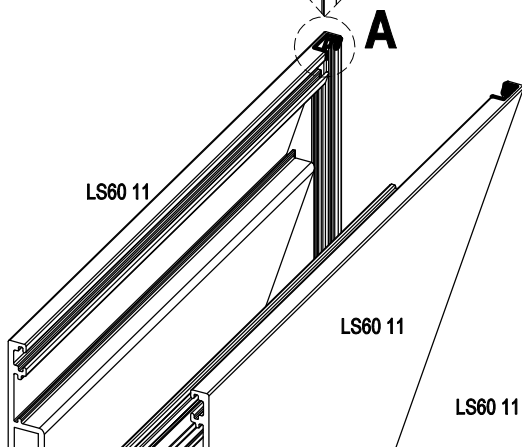
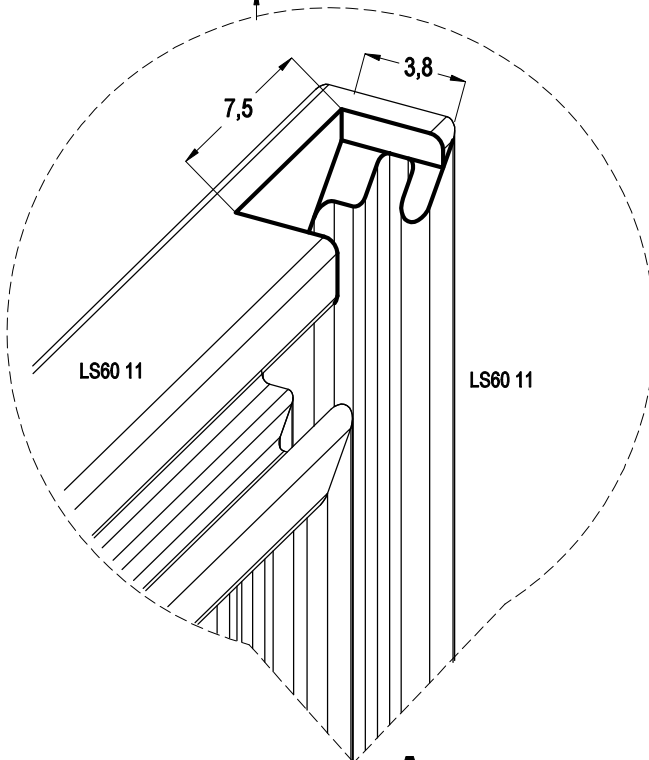
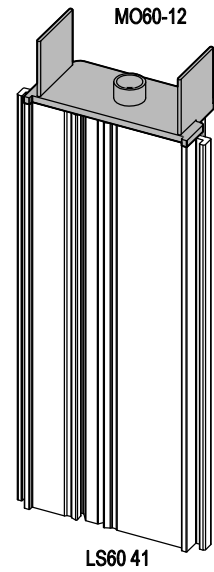
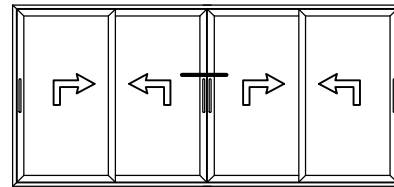
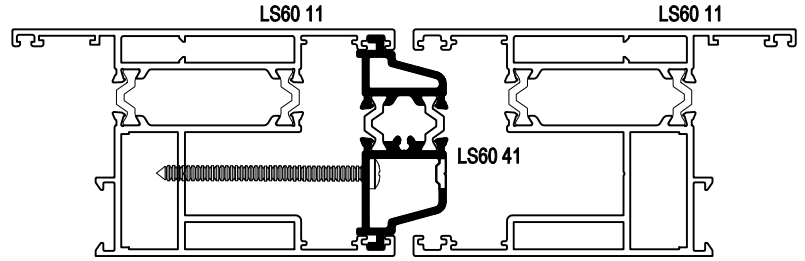
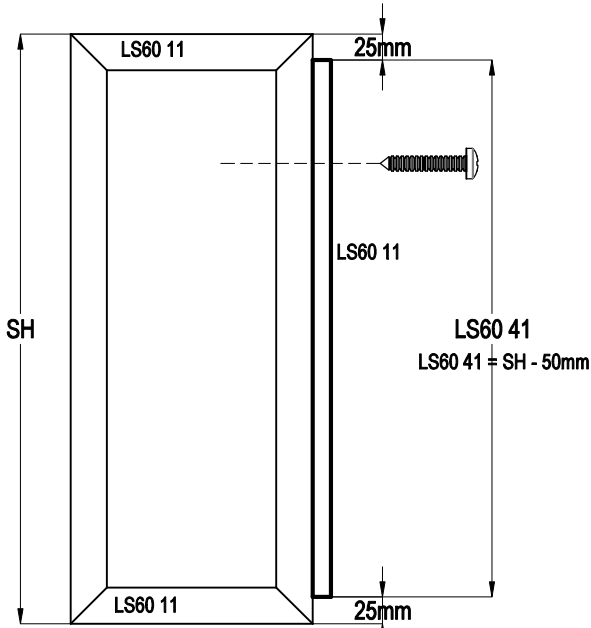


LS60

YALITIMLI KALDIR-SÜR SİSTEM
THERMAL LIFT&SLIDE SYSTEM

ASISTAL

4 LÜ KANAT ORTA BİRLEŞİM MONTAJI ASSEMBLY FOR 4 SASH MIDDLE SECTION

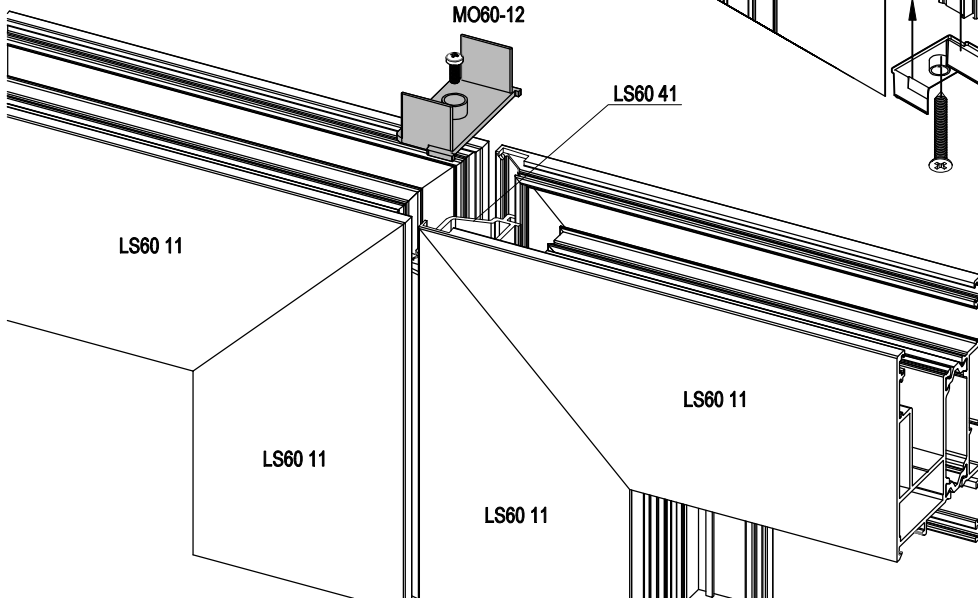
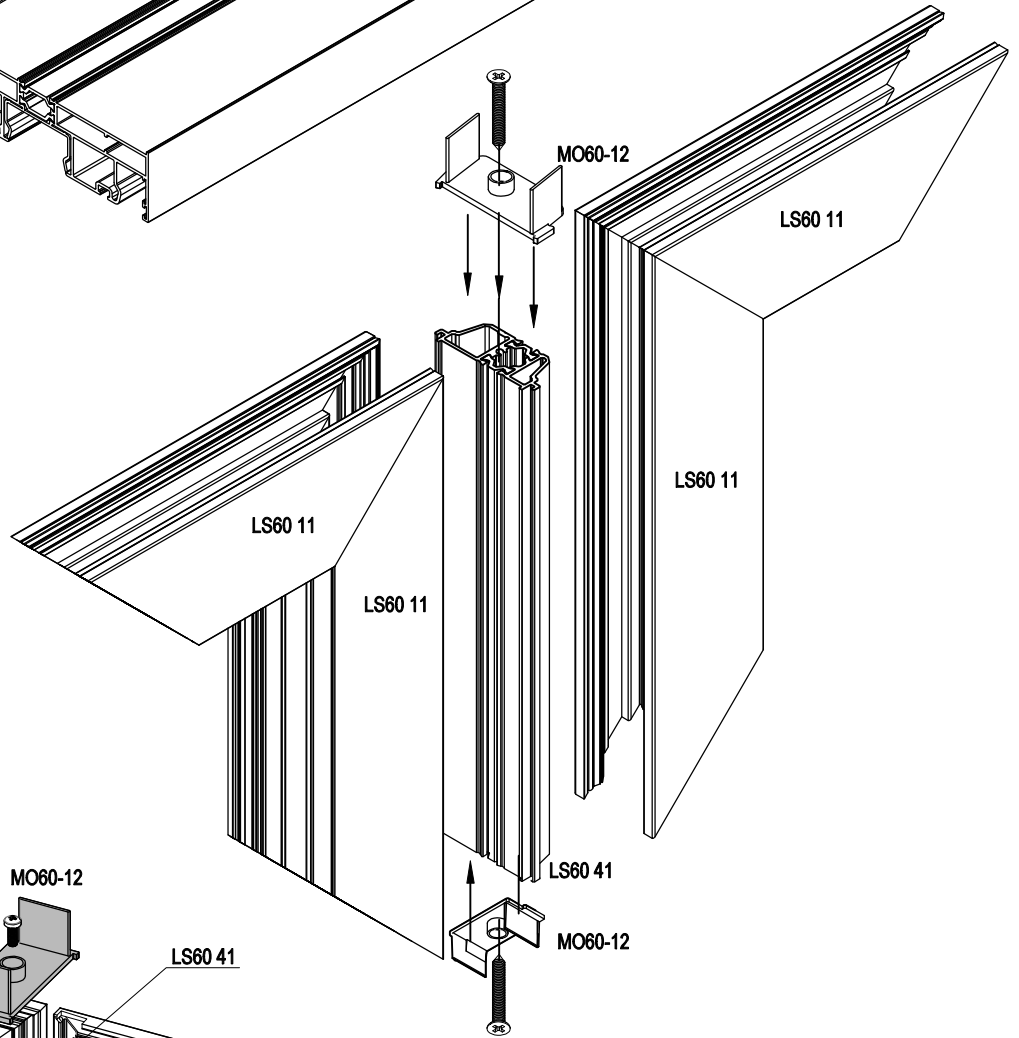
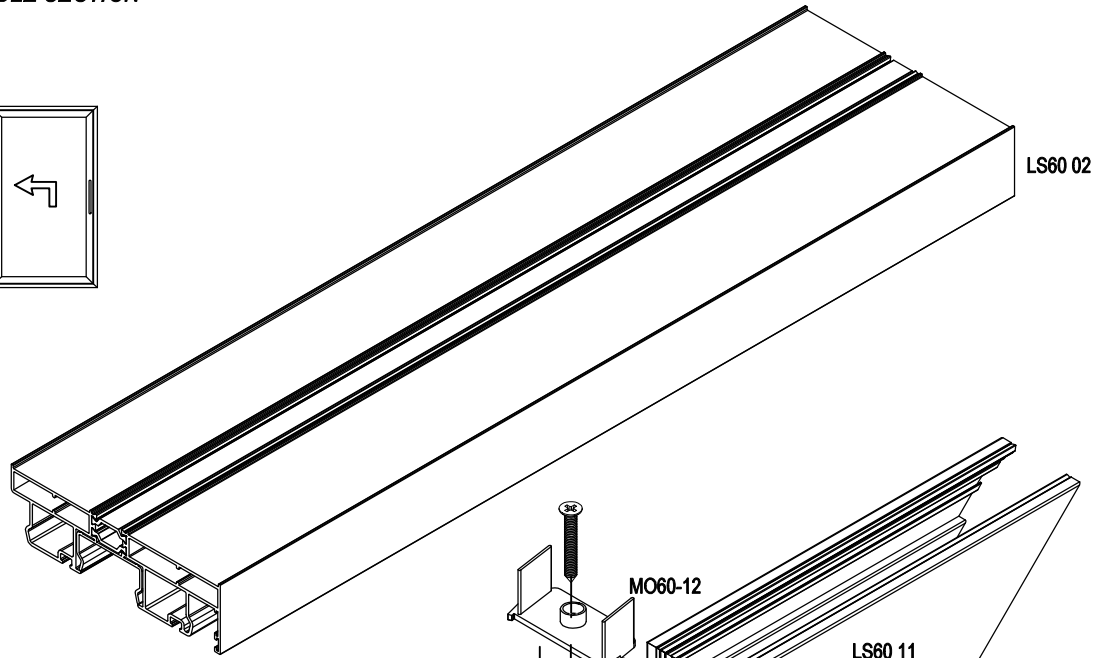
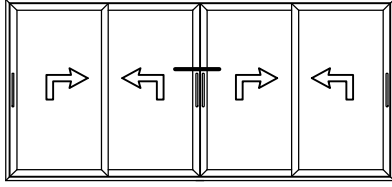


LS60

YALITIMLI KALDIR-SÜR SİSTEM
THERMAL LIFT&SLIDE SYSTEM



4 LÜ KANAT ORTA BİRLEŞİM MONTAJI ASSEMBLY FOR 4 SASH MIDDLE SECTION

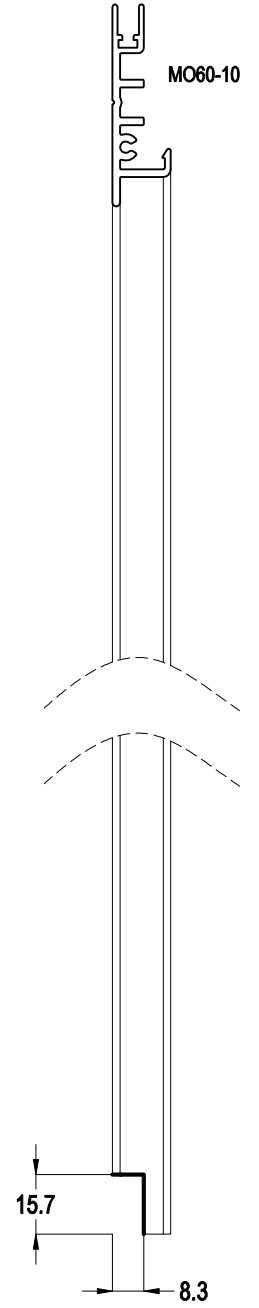
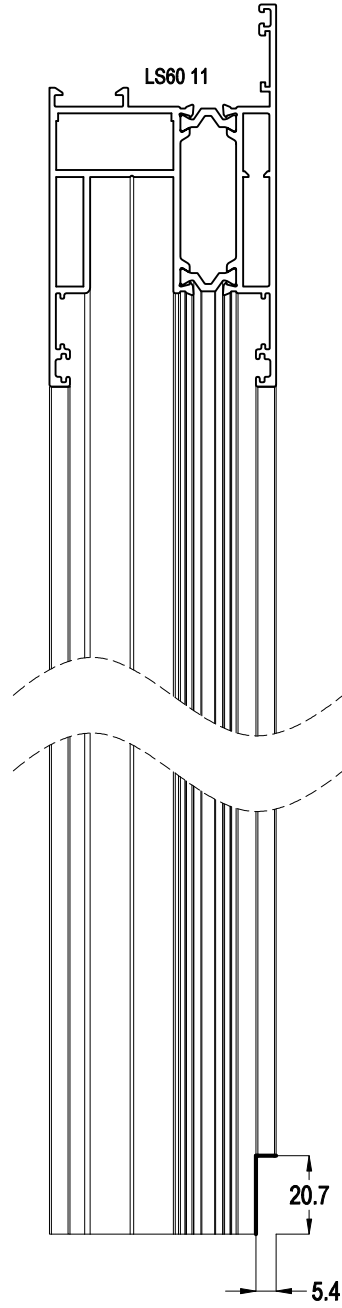
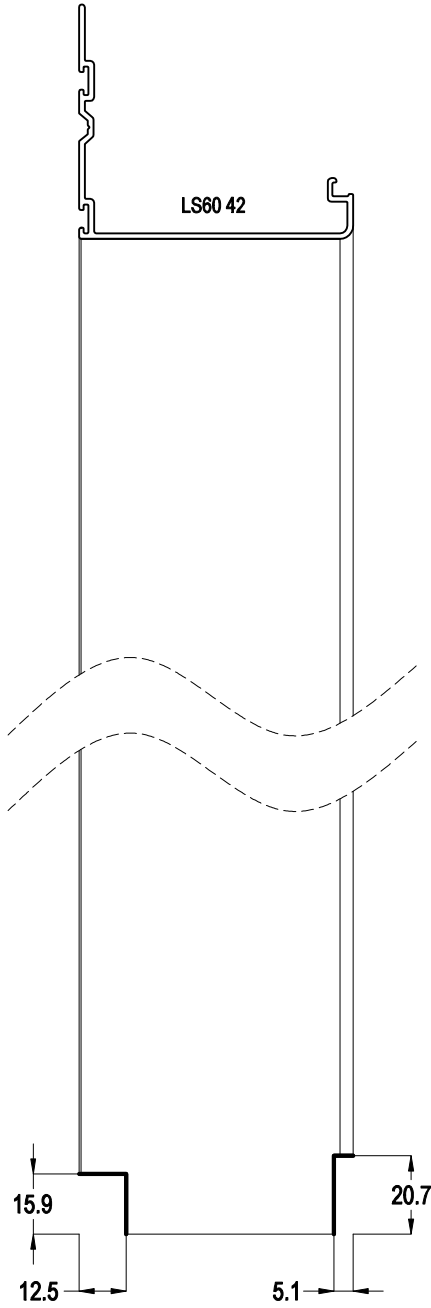
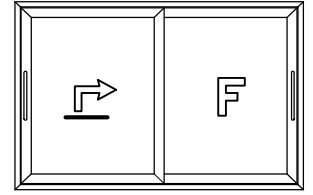


LS60

YALITIMLI KALDIR-SÜR SİSTEM
THERMAL LIFT&SLIDE SYSTEM



SABİTLİ KASADA ORTA KANAT BİRLEŞİM MONTAJI
ASSEMBLY FOR SASH FIXING MEETING STILE

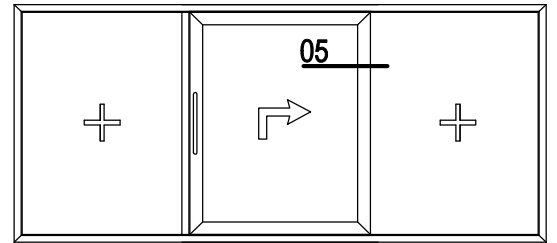
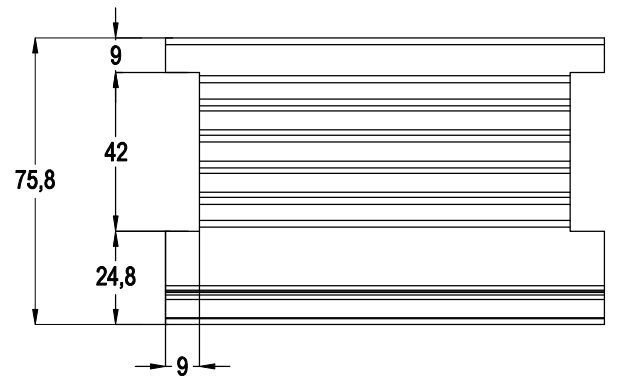
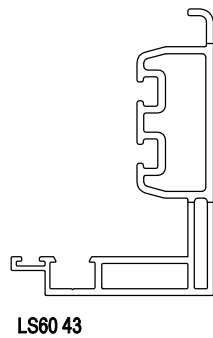
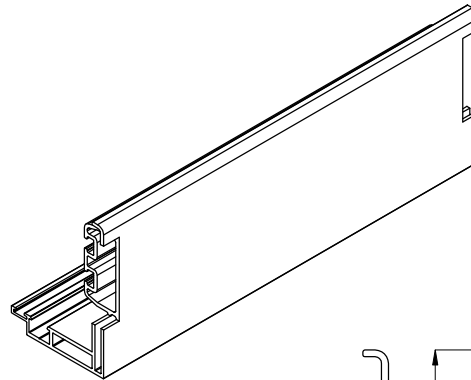
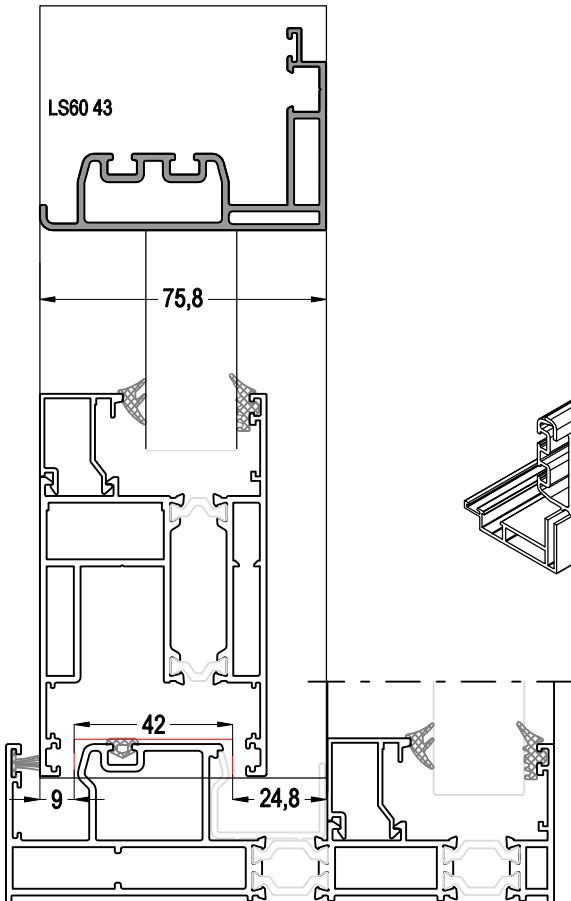
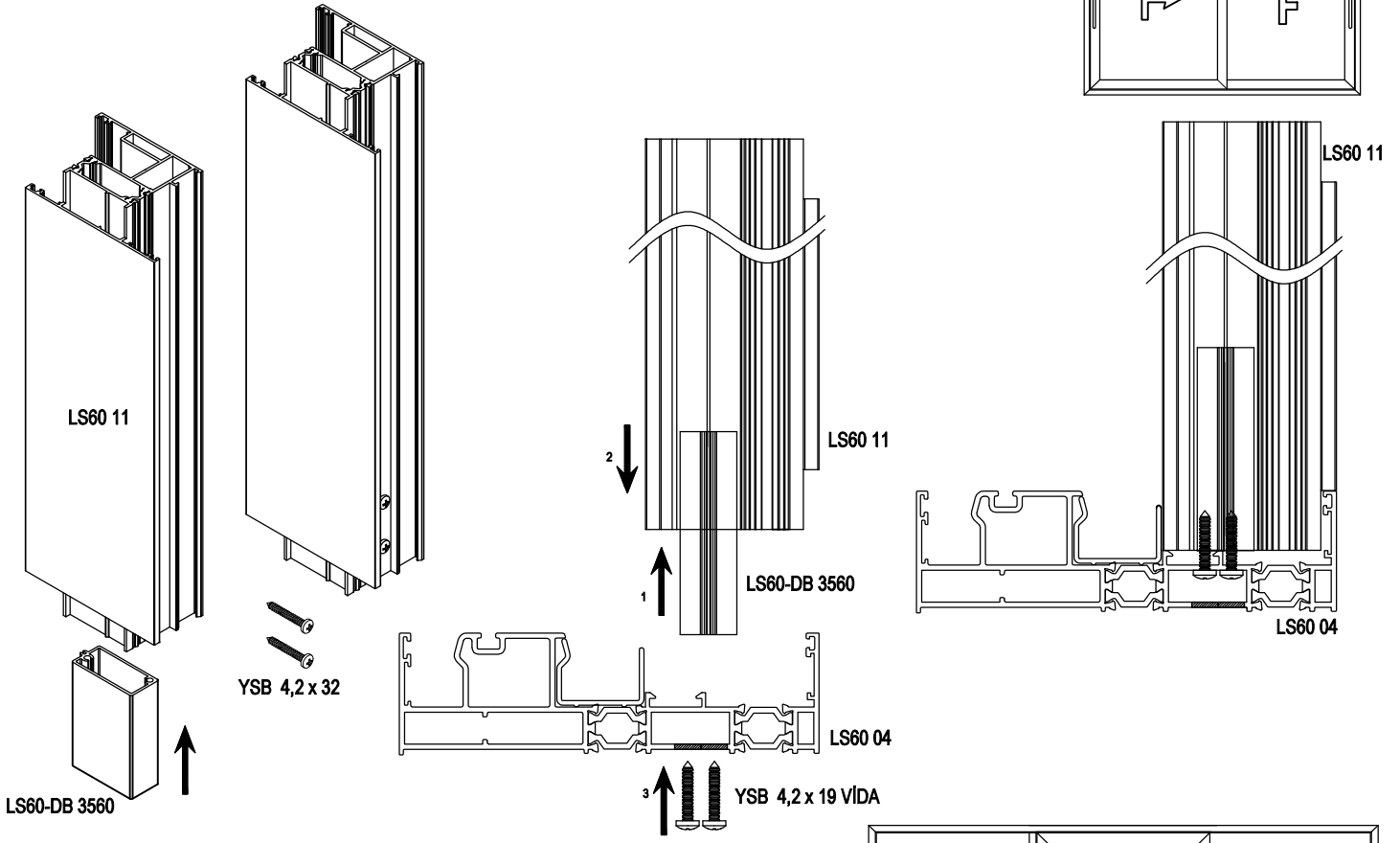


LS60

YALITIMLI KALDIR-SÜR SİSTEM
THERMAL LIFT&SLIDE SYSTEM



SABİTLİ KASADA ORTA KANAT BİRLEŞİM MONTAJI ASSEMBLY FOR SASH FIXING MEETING STILE

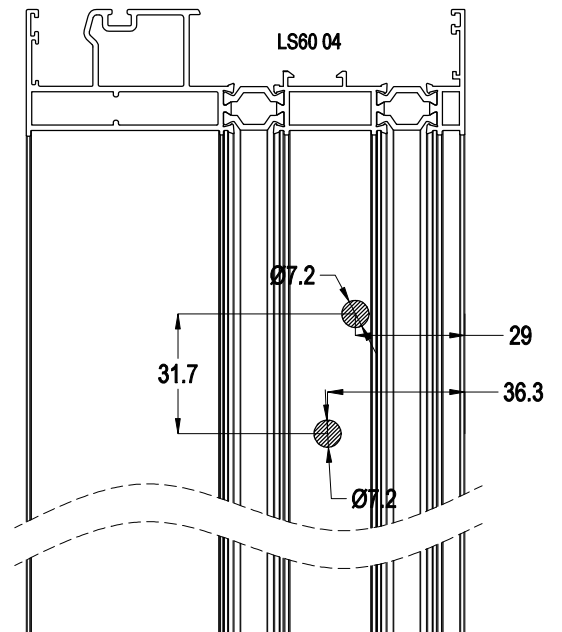
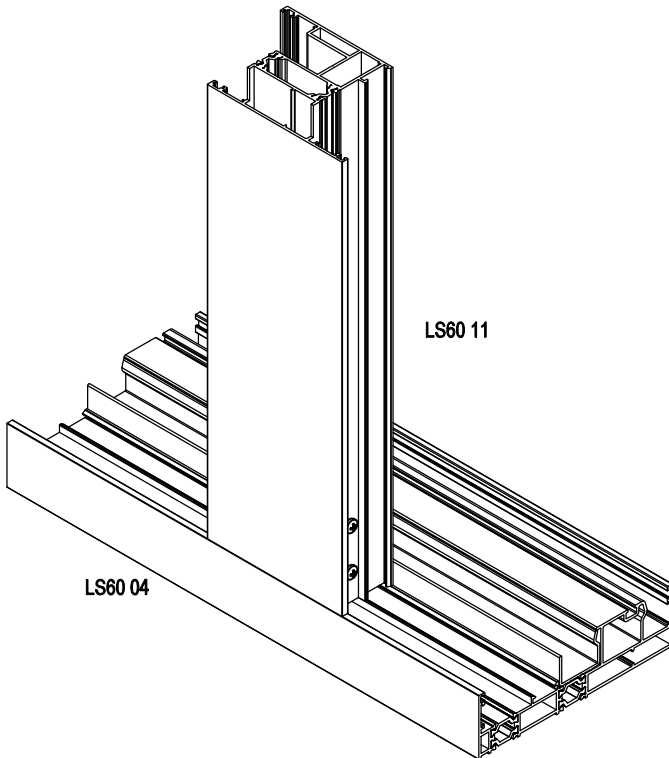
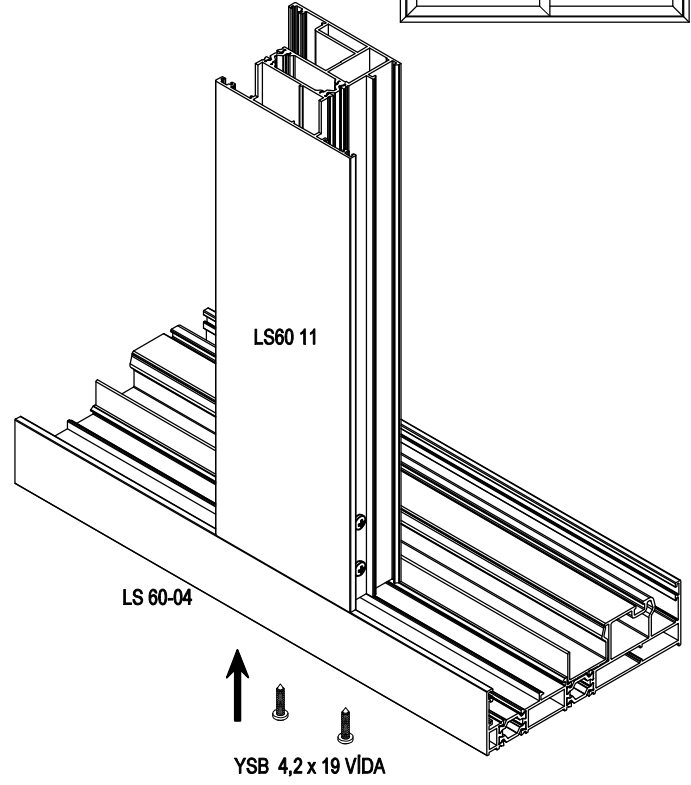
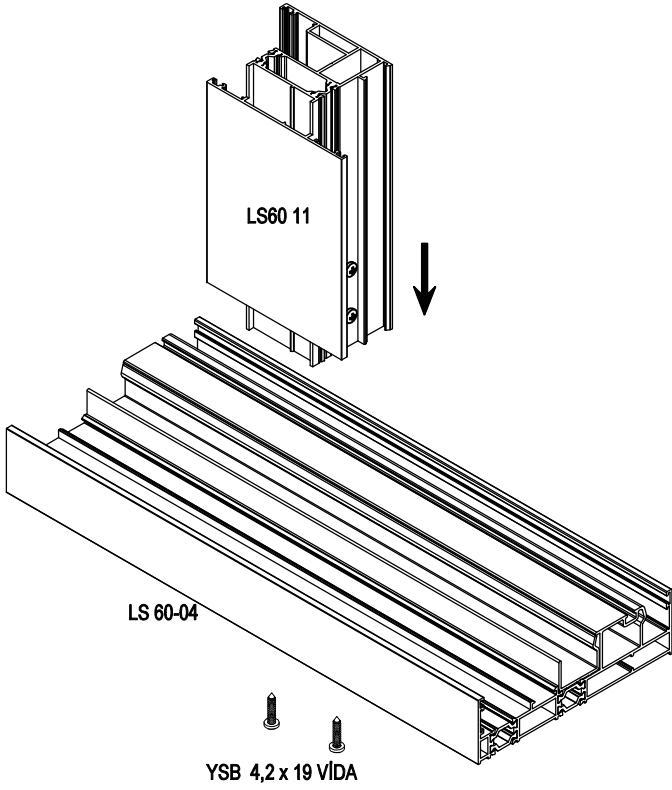
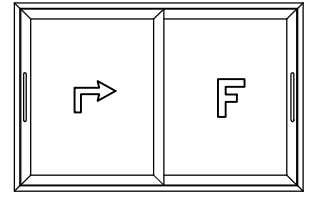


LS60

YALITIMLI KALDIR-SÜR SİSTEM
THERMAL LIFT&SLIDE SYSTEM



SABİTLİ KASADA ORTA KANAT BİRLEŞİM MONTAJI ASSEMBLY FOR SASH FIXING MEETING STILE

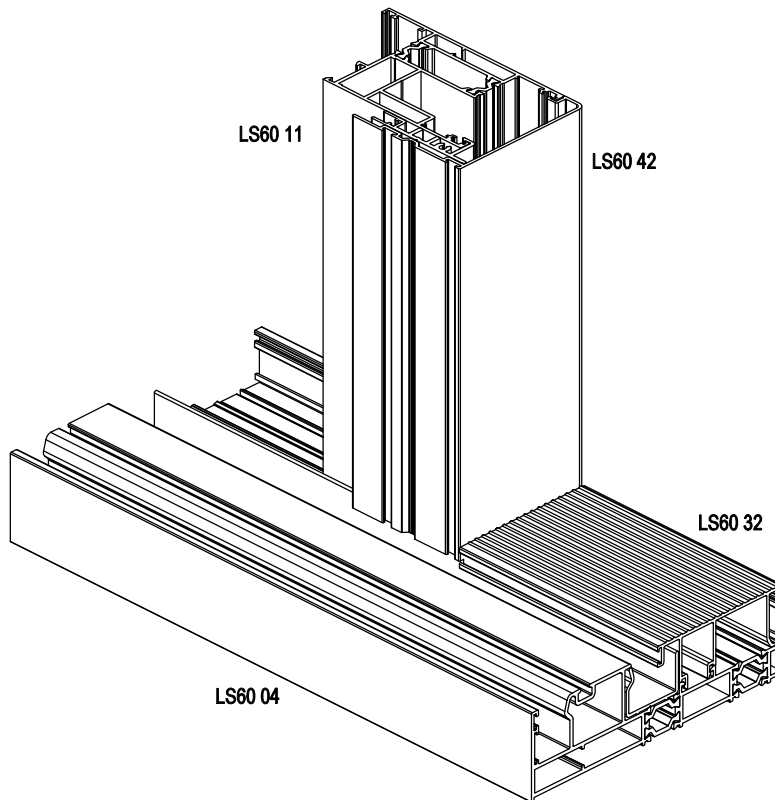
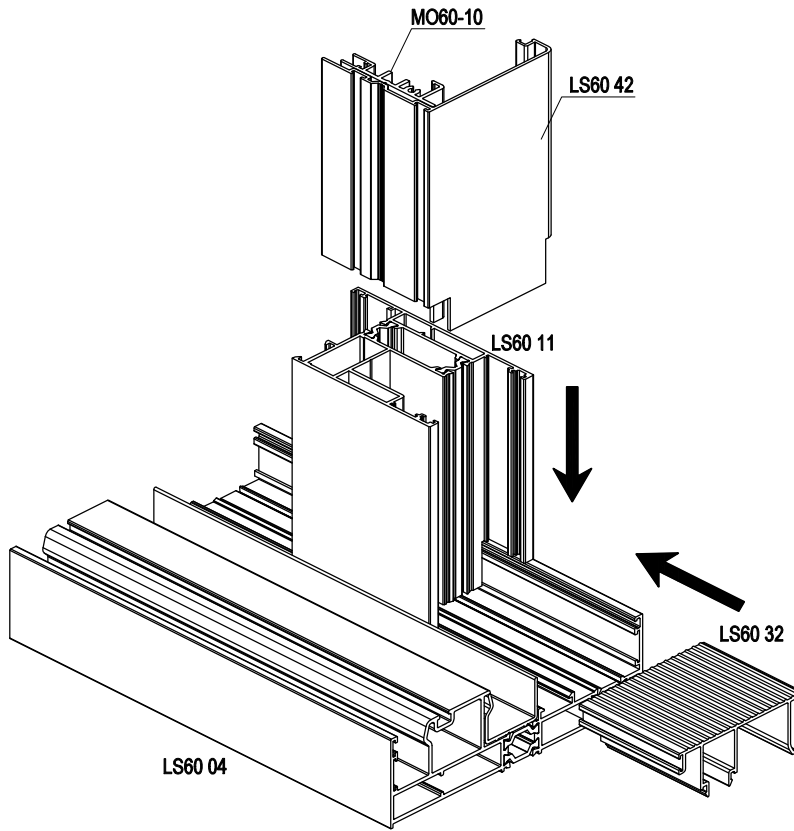
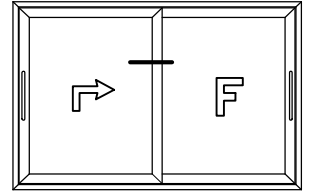


LS60

YALITIMLI KALDIR-SÜR SİSTEM
THERMAL LIFT&SLIDE SYSTEM

ASISTAL

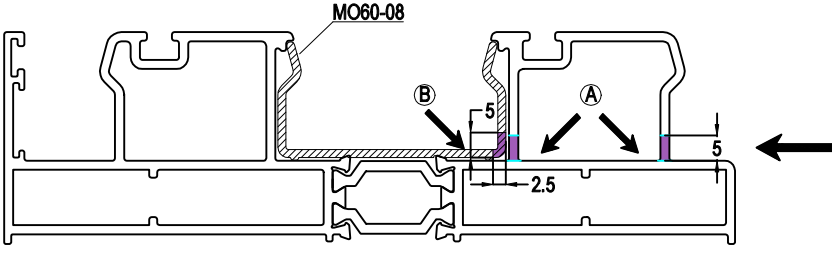
SABİTLİ KASADA ORTA KANAT BİRLEŞİM MONTAJI ASSEMBLY FOR SASH FIXING MEETING STILE



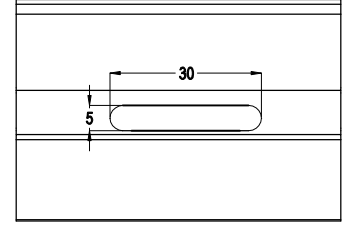
LS60

YALITIMLI KALDIR-SÜR SİSTEM
THERMAL LIFT&SLIDE SYSTEM

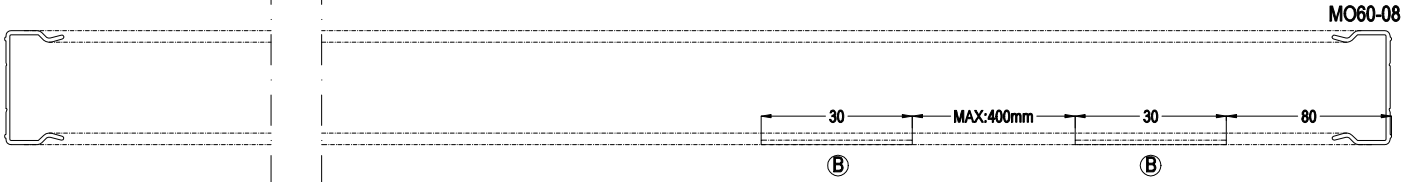
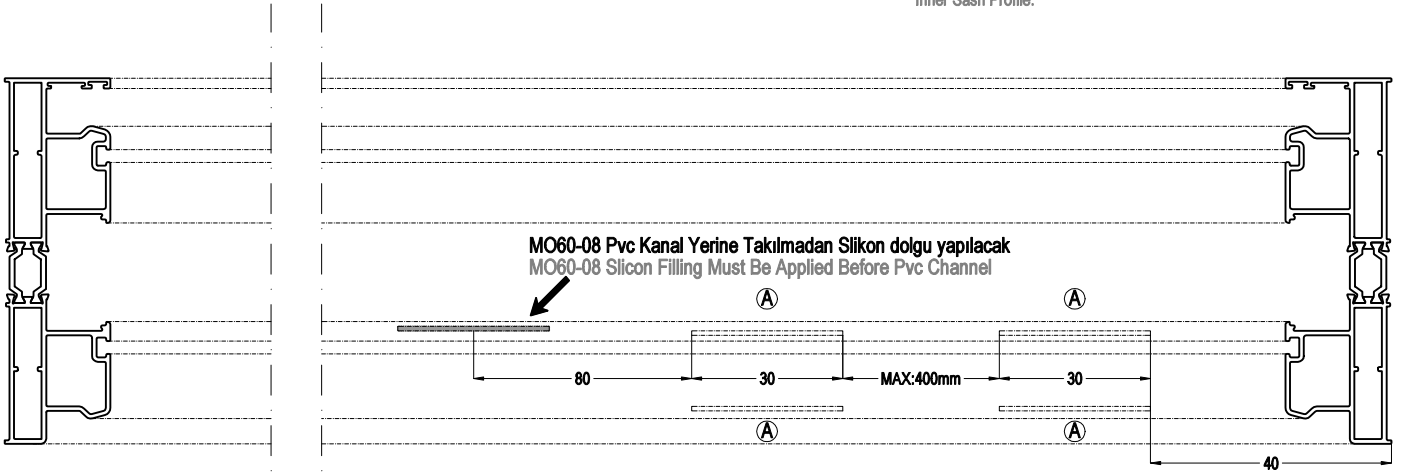
LS60 02



SU TAHLİYE DELİĞİ
WATER DRAINAGE

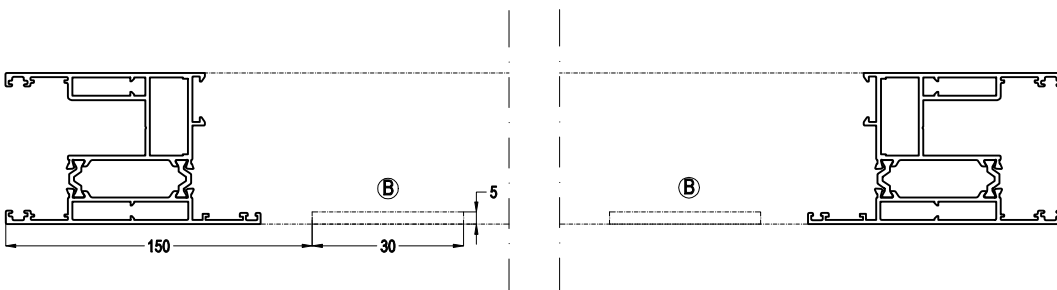
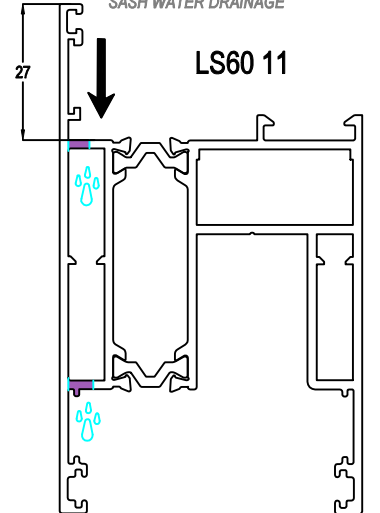


Kasa Profilinde tahliye sadece İç Kanat Profili altında yapılacaktır.
In the Frame Profile, the evacuation will only be done Under the Inner Sash Profile.



KANAT SU TAHLİYE DELİĞİ
SASH WATER DRAINAGE

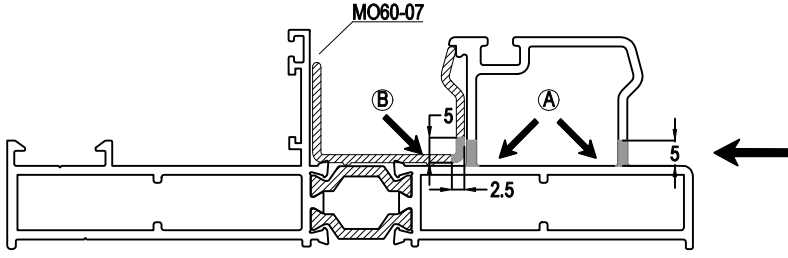
LS60 11



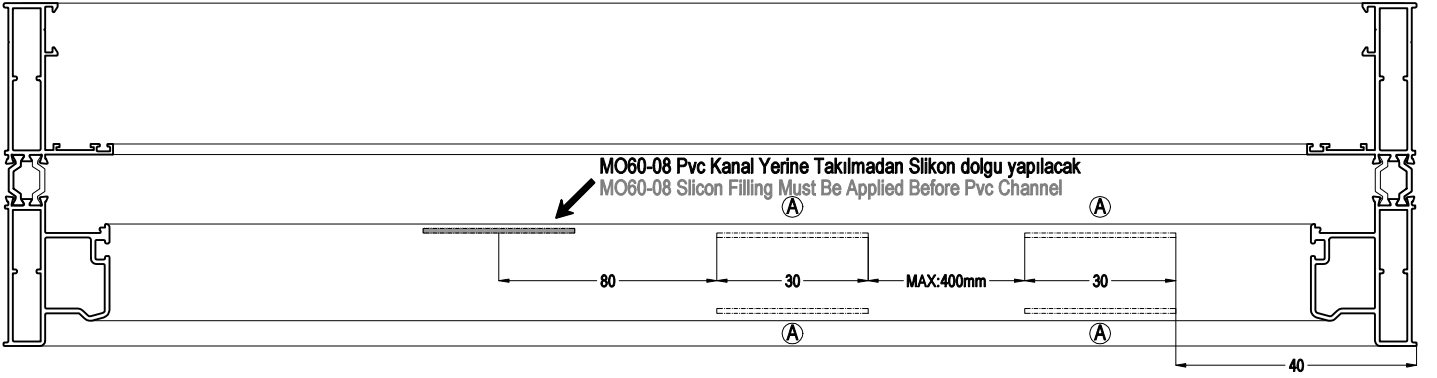
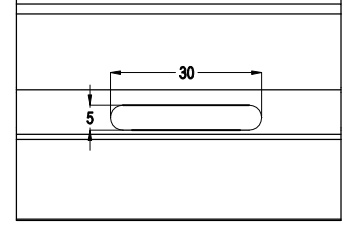
LS60

YALITIMLI KALDIR-SÜR SİSTEM
THERMAL LIFT&SLIDE SYSTEM

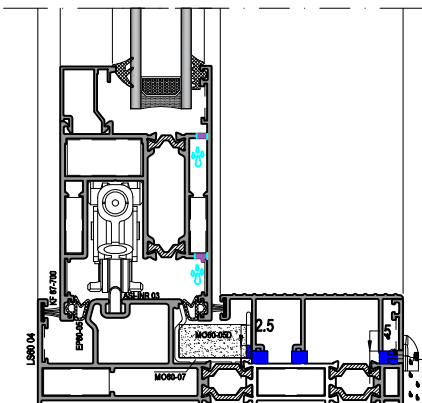
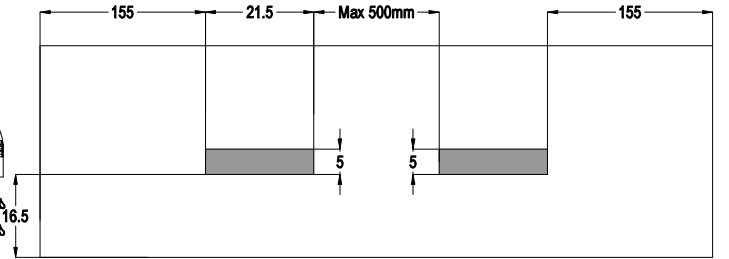
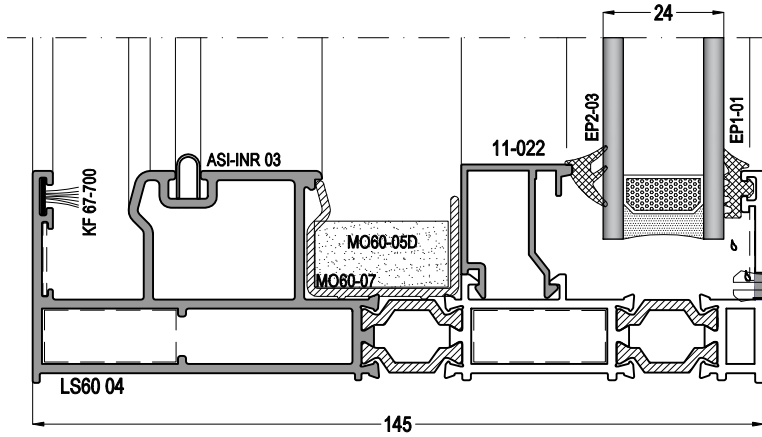
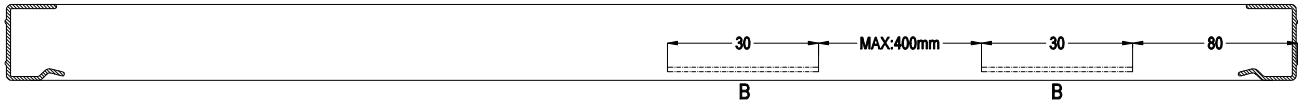
ASISTAL



SU TAHLİYE DELİĞİ WATER DRAINAGE



MO60-07



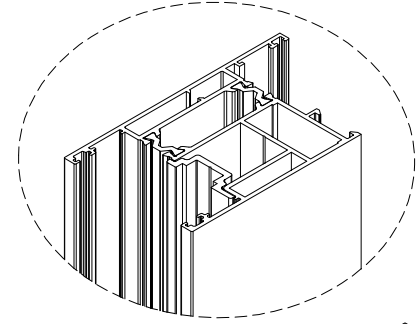
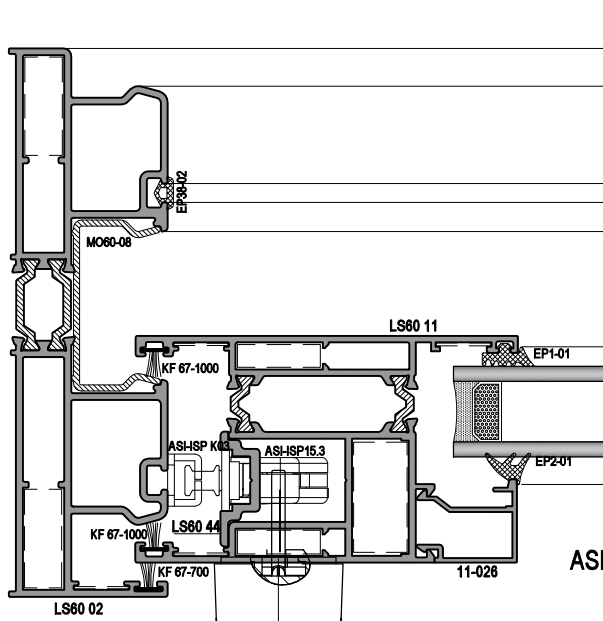
Mavi Kutu İle Belirtilen Yerlerde Max 500mm de Şaşırtmalı 5x20mm Slot Tahliye Açılmalıdır.

LS60

YALITIMLI KALDIR-SÜR SİSTEM
THERMAL LIFT&SLIDE SYSTEM

ASISTAL

İSPANYOLET KİLİTLEME NORMAL SÜRME İÇİN : ASI-ISP 15 MULTI POINT LOCKING FOR NORMAL SLIDING : ASI-ISP 15



ASI-ISP15.0 (400 mm LİK İSPANYOLET İÇİN)
KANAT YÜKSEKLİĞİ (sash height) < 600mm
LS60 44 = 400mm X 1 ADET
ASI-ISP K03 = 2 ADET

ASI-ISP15.1 (600 mm LİK İSPANYOLET İÇİN)
KANAT YÜKSEKLİĞİ (sash height) < 1100mm
LS60 44 = 600mm X 1 ADET
ASI-ISP K03 = 2 ADET

ASI-ISP15.2 (1000mm LİK İSPANYOLET İÇİN)
1900mm < KANAT YÜKSEKLİĞİ (sash height) > 1100m
LS60 44 = 1000mm X 1 ADET
ASI-ISP K03 = 2 ADET

ASI-ISP15.3 (1800mm LİK İSPANYOLET İÇİN)
KANAT YÜKSEKLİĞİ (sash height) > 1900mm
LS60 44 = 1800mm X 1 ADET
ASI-ISP K03 = 3 ADET

ASI-ISP K03

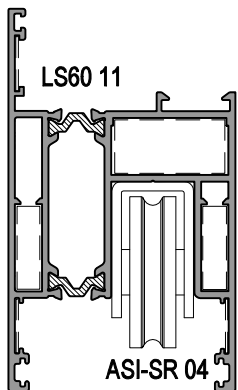
ASI-WH 002

ASI-ISP K03

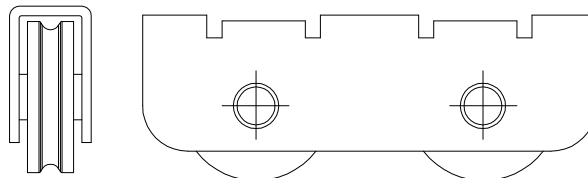
LS60 44

LS60 11

ASI-ISP 15.X

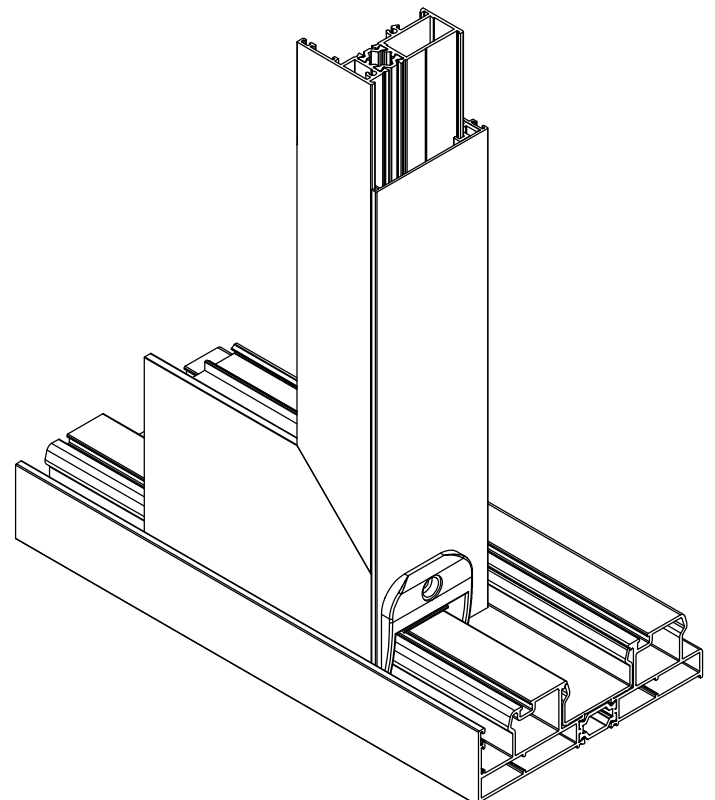
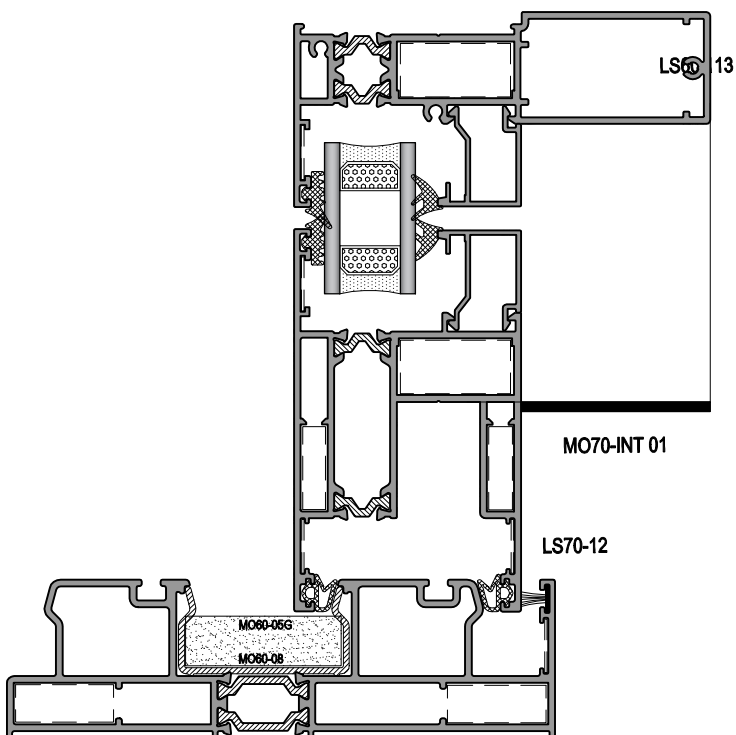
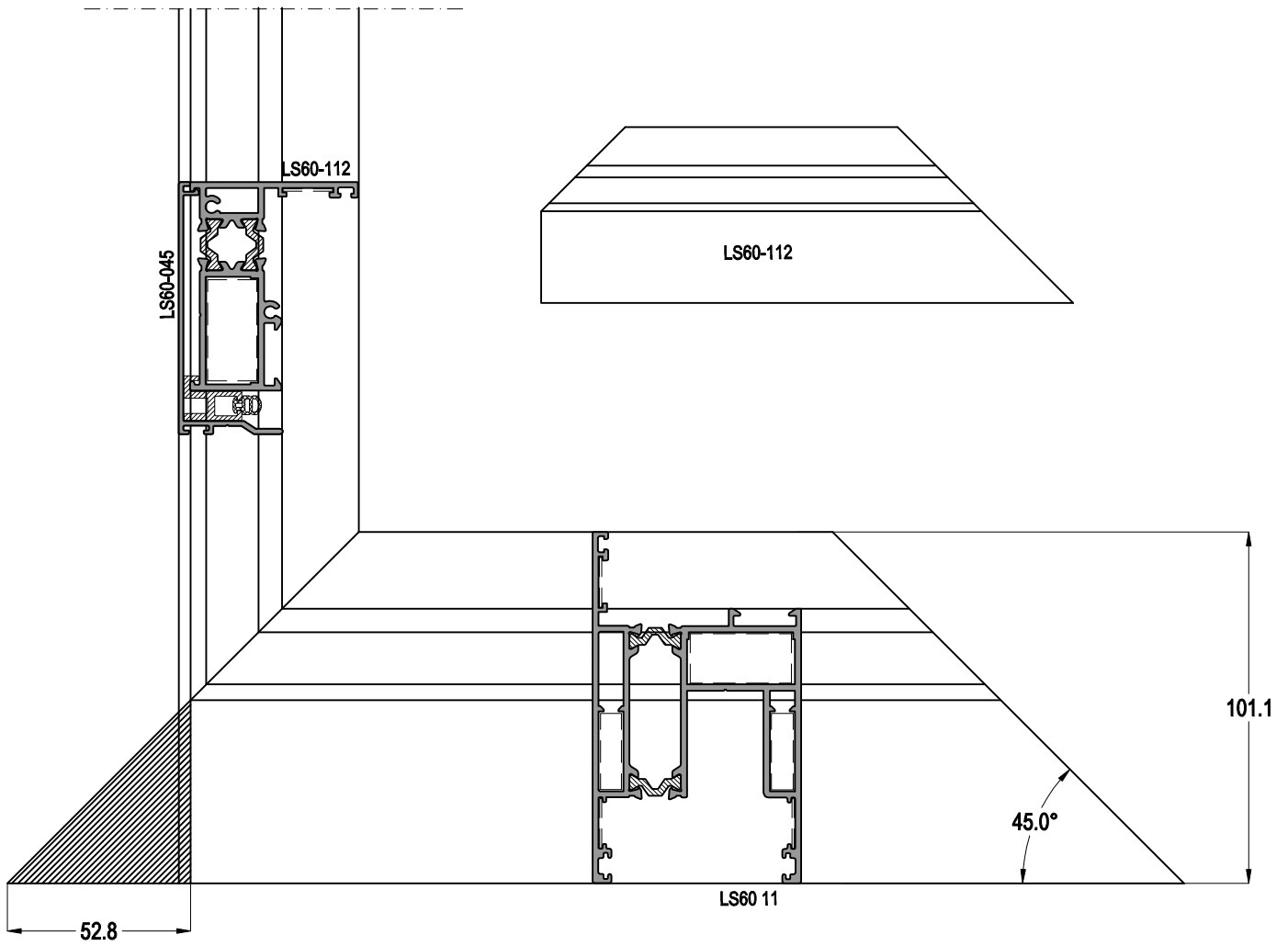


ASI-SR 04
150KG/RULMAN
KANAT TAŞIMA KAPASİTESİ=300kg
SASH CARRY CAPACITY = 300kg



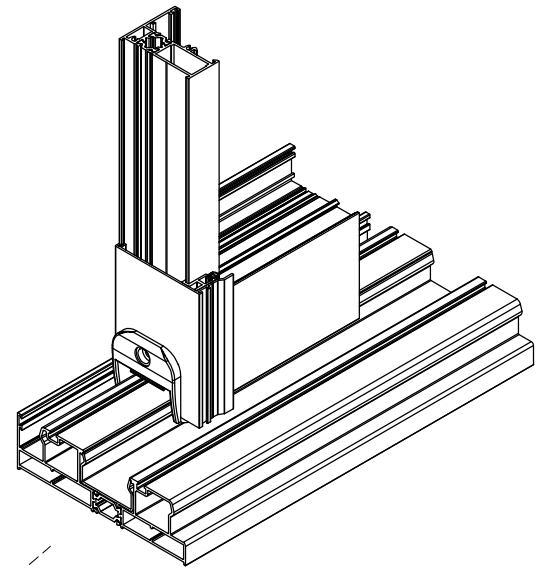
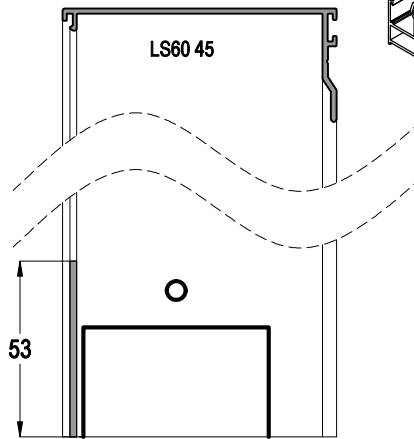
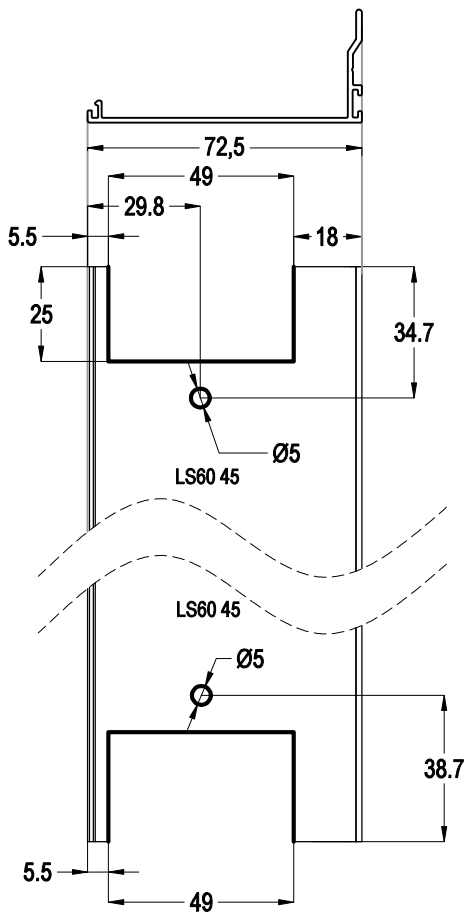
LS60

YALITIMLI KALDIR-SÜR SİSTEM
THERMAL LIFT&SLIDE SYSTEM

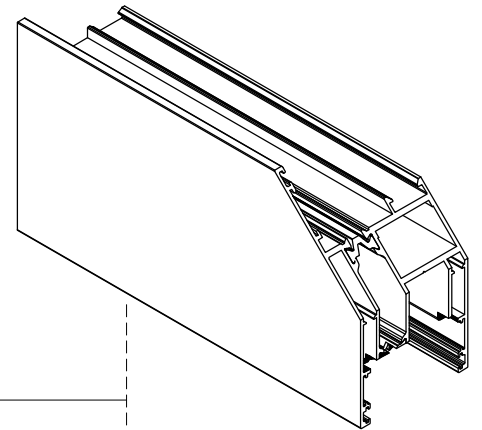
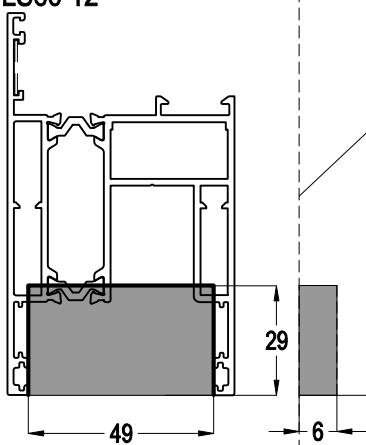


LS60

YALITIMLI KALDIR-SÜR SİSTEM
THERMAL LIFT&SLIDE SYSTEM



LS60 11
LS60 12



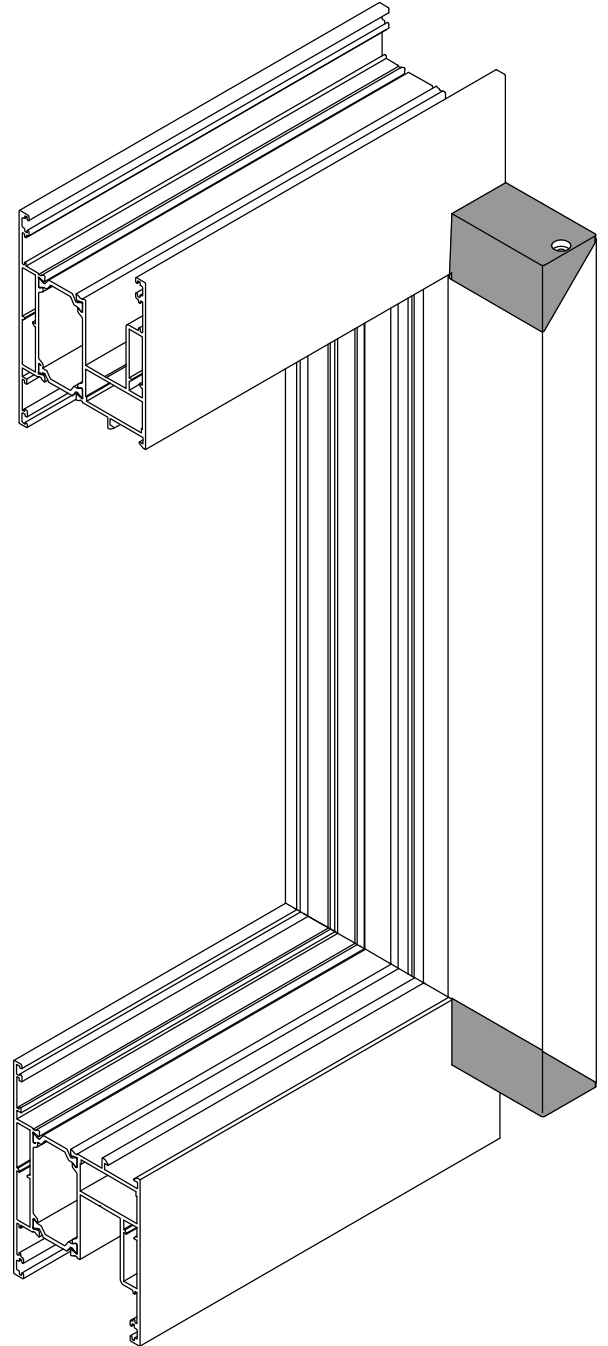
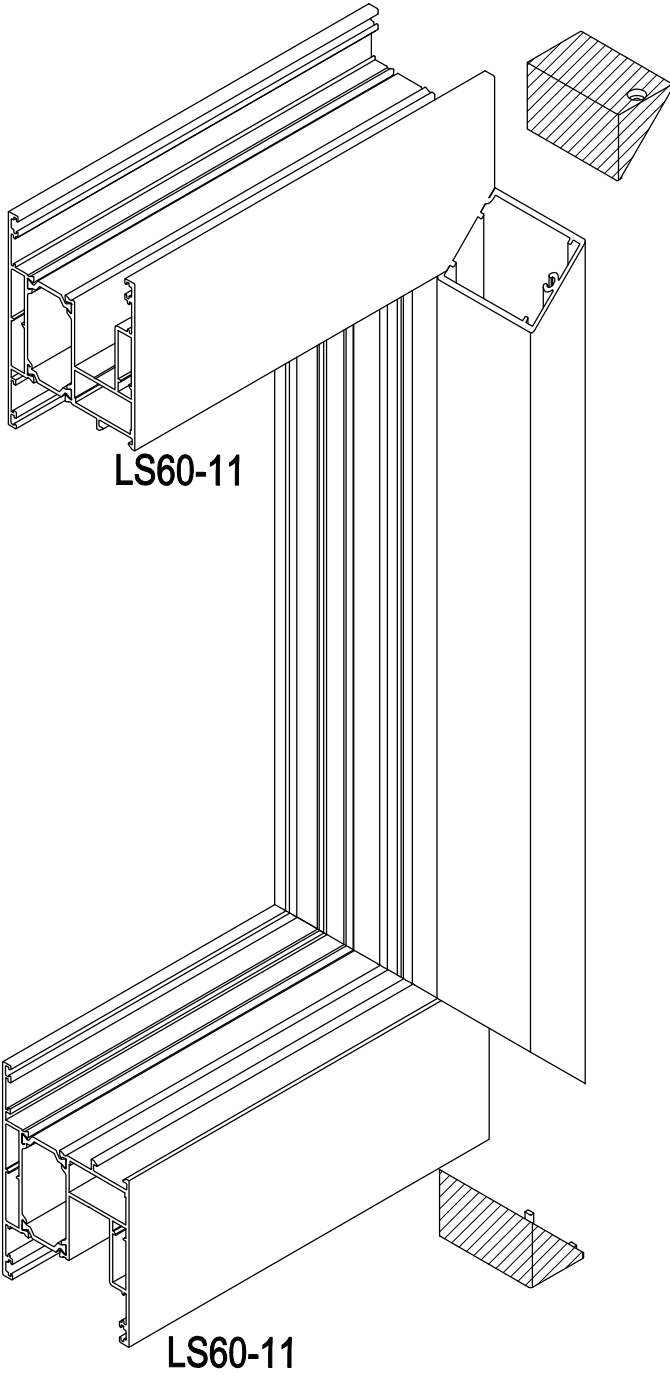
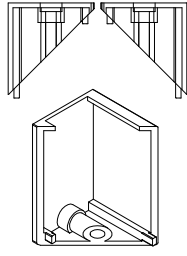
LS60

YALITIMLI KALDIR-SÜR SİSTEM
THERMAL LIFT&SLIDE SYSTEM



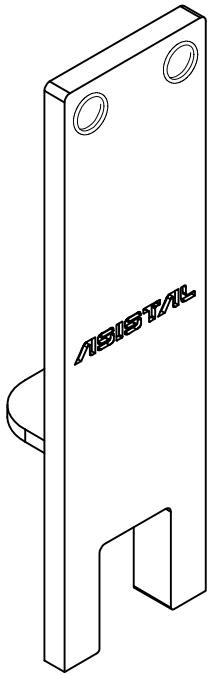
MO70-INT 01

90°DAR KENET KAPAK
TAKIMI - LS7013
COVER

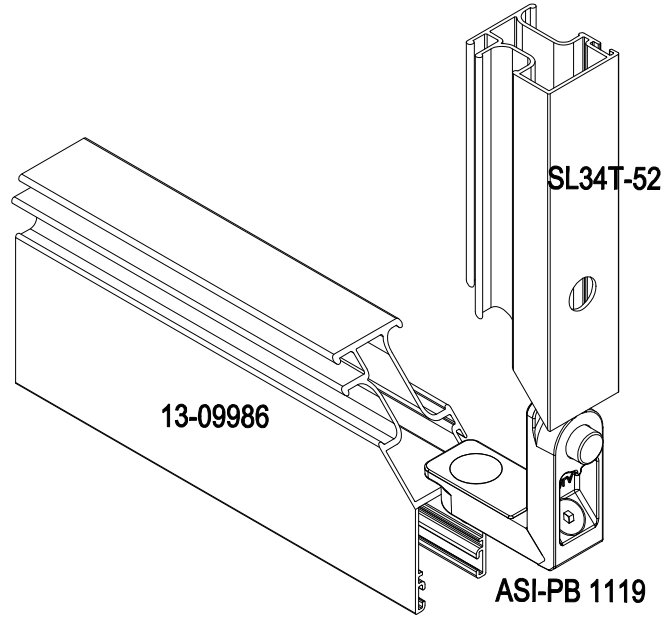


LS60

YALITIMLI KALDIR-SÜR SİSTEM
THERMAL LIFT&SLIDE SYSTEM



FLY-KP01

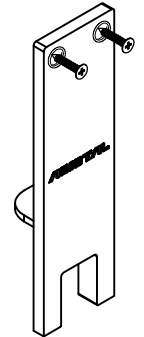


13-09986

SL34T-52

ASI-PB 1119

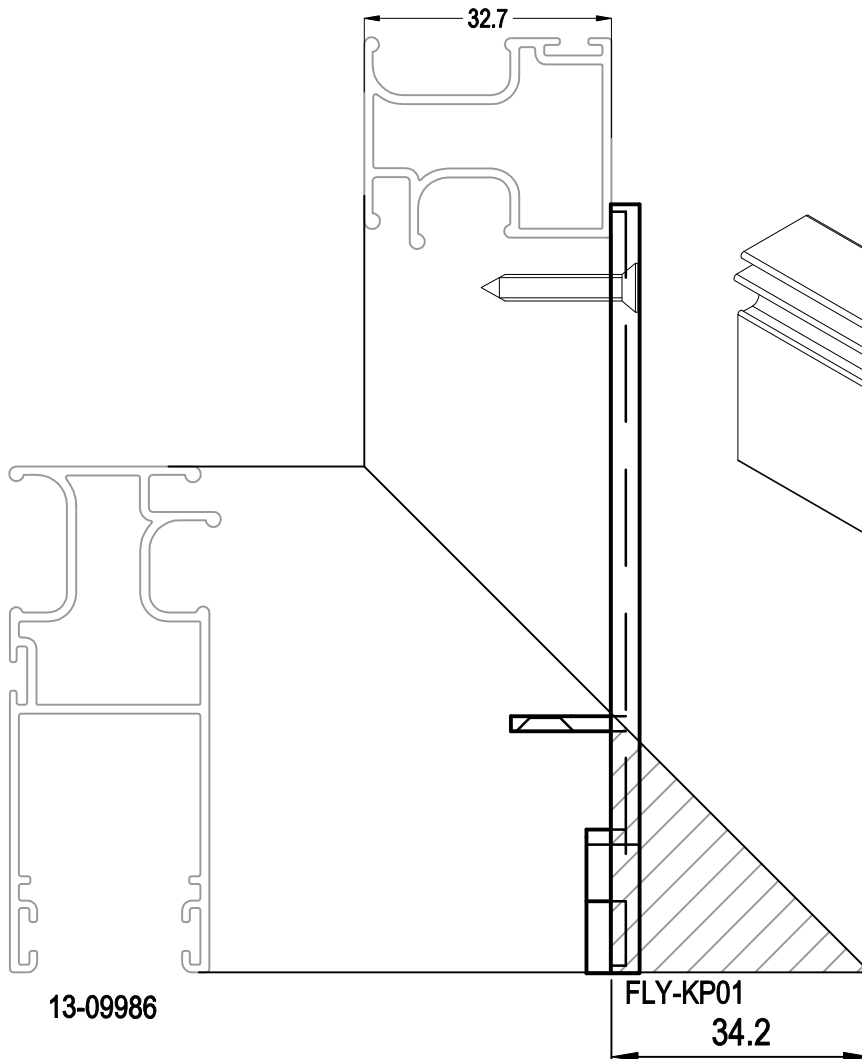
YHB 3.5x9.5



FLY-KP01

SL34T-52

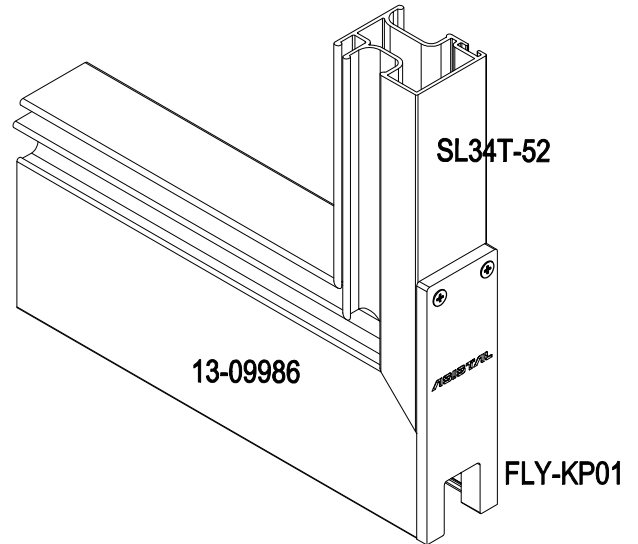
32.7



13-09986

FLY-KP01

34.2

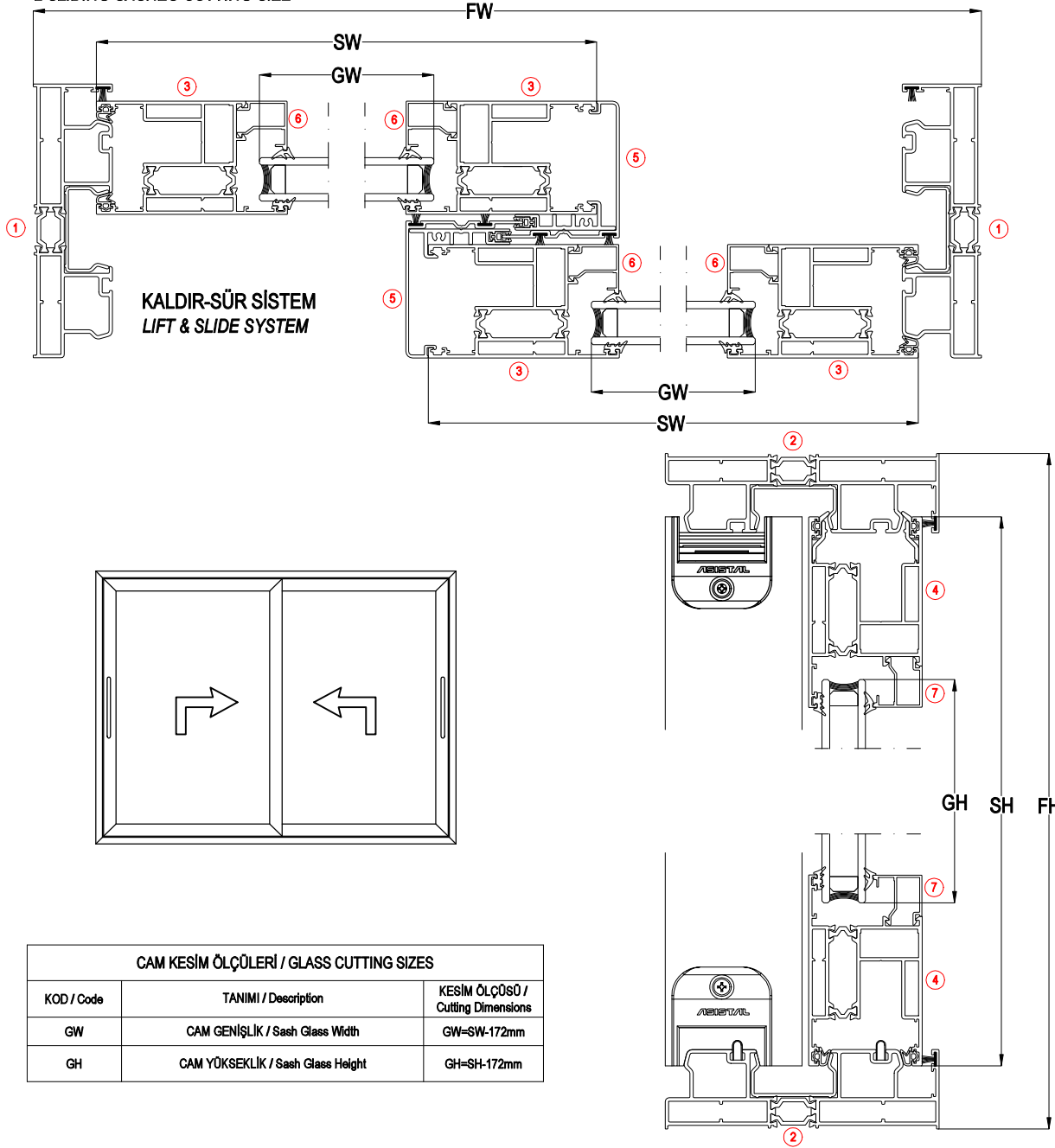


13-09986

SL34T-52

FLY-KP01

2 HAREKETLİ KANAT KESİM ÖLÇÜLERİ
2 SLIDING SASHES CUTTING SIZE

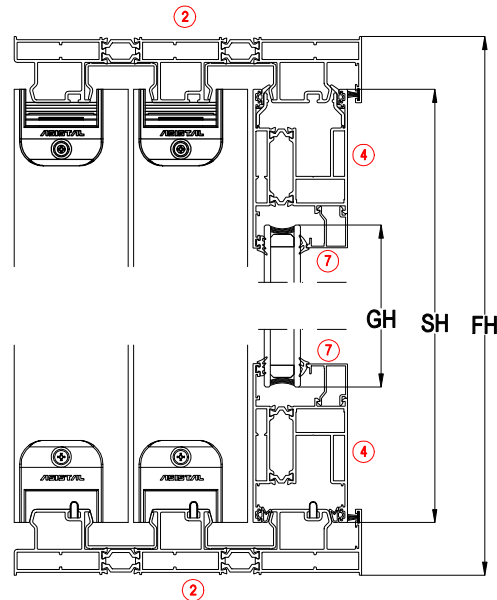
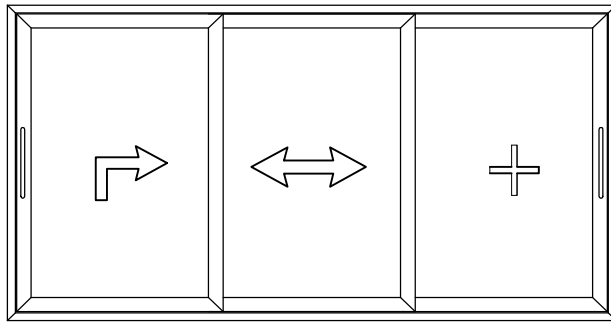
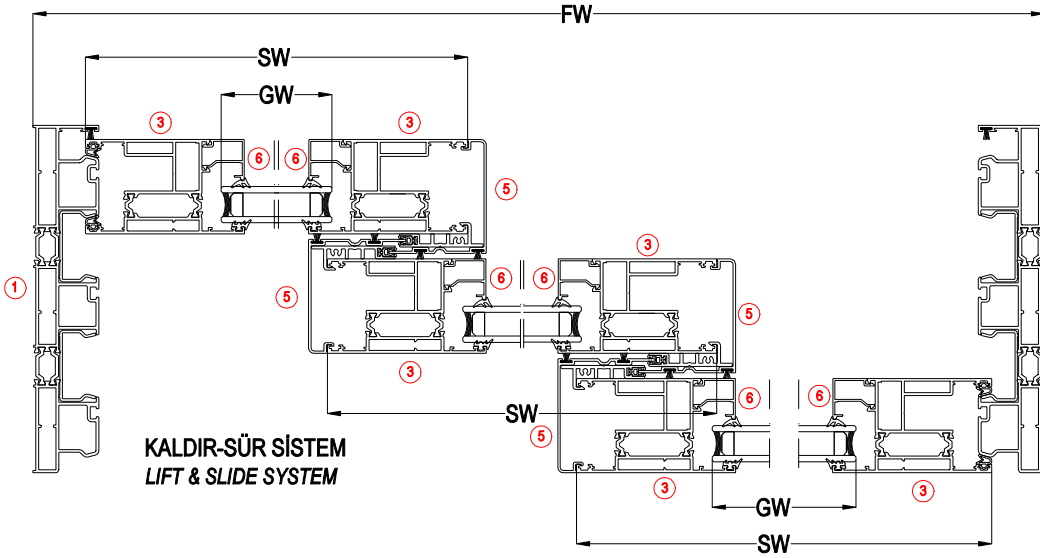


PROFİLLER / PROFILES					
NO / Number	ADET / Unit	KOD / Code	PROFİL ÇİZİMİ / Drawing	PROFİL TANIMI / Description	KESİM ÖLÇÜSÜ / Cutting Dimensions
1	2	LS60 02		DÜŞEY KASA PROFİLİ / Vertical Frame Profile	FH
2	2	LS60 02		YATAY KASA PROFİLİ / Horizontal Frame Profile	FW
3	4	LS60 11		DÜŞEY KANAT PROFİLİ / Vertical Sash Profile	SH=FH-67mm
4	4	LS60 11		YATAY KANAT PROFİLİ / Horizontal Sash Profile	SW=FW/2+11,1mm
5	2	LS80 42		KENET PROFİLİ / Central Locking Profile	LS40 42=SH
6	4	11_026		DÜŞEY CAM ÇİTASI / Vertical Glazing Bead	G1=SH-202mm
7	4	11_026		YATAY CAM ÇİTASI / Horizontal Glazing Bead	G2=SW-158mm
PVC	2	MO60-10		KENET PVC PROFİLİ / Central Locking PVC Profile	SH
PVC	2	MO60-08		YATAY KASA KANAL PVC / Horizontal PVC Channel Profile	FW
PVC	2	MO60-08		YATAY KASA KANAL PVC / Horizontal PVC Channel Profile	FH
	2	ASH-1NR 01		ÇELİK RAY PROFİLİ / Steel Rail Profile	FW-84mm

FİTİLLER / GASKETS				
MİKTAR / Unit	KOD / Code	PROFİL ÇİZİMİ / Drawing	PROFİL TANIMI / Description	KESİM ÖLÇÜSÜ / Cutting Dimensions
mt	EP1-01		DIŞ CAM FİTİLİ / Outer Glazing Gasket	4x(G1+G2)
mt	EP2-01		İÇ CAM FİTİLİ / Inner Glazing Gasket	4x(G1+G2)
mt	EP60-03		KANAT ÜST FİTİLİ / Sash Gasket	4 x SW
mt	EP60-04		KENET FİTİLİ / Central Locking Gasket	2 x SH
mt	EP60-05		KANAT FİTİLİ / Sash Gasket	(4xSH)+(4xSW)
mt	INT1-01		KASA FİTİLİ / Frame Gasket	(4xFH) + (2xFW)
mt	KF 67-800		FİRÇA FİTİL / Brush Gasket - 6mm	4 x SH
mt	KF 67-700		FİRÇA FİTİL / Brush Gasket - 7mm	(2xFH)+(2xFW)

AKSESUARLAR / ACCESSORIES				
2 Adet / Pos	MO60-01		ALT KENET KAPAĞI / Interlock Profile Cap-Bottom	
2 Adet / Pos	MO60-02		ÜST KENET KAPAĞI / Interlock Profile Cap-Top	
2 Adet / Pos	MO60-03		MO60-10 ALT KAPAK PROFİLİ / Bottom Cover Profile	
2 Adet / Pos	MO60-04		MO60-10 ÜST KAPAK PROFİLİ / Top Cover Profile	
1 Adet / Pos	MO60-05G		ALT HAVA KESİCİ / Central Sealing - Bottom	
1 Adet / Pos	MO60-06G		ÜST HAVA KESİCİ / Central Sealing - Top	
8 Adet / Pos	MO60-13		KANAT DENGELEME PLASTİĞİ / Sash Stabilization Spacer	
28 Adet / Pos	ASI-SB 19.1		KÖŞE GÖNYESİ / Corner Alignment	
8 Adet / Pos	ASI-PB 1126 ASI-KT 1126		KÖŞE TAKOZU veya PİMLİ BAĞLANTI / Corner Joint Pres or Pin	
8 Adet / Pos	ASI-KT 1429		KÖŞE TAKOZU / Pres Corner Joint	
16 Adet / Pos	ASI-KT 2307		KÖŞE TAKOZU / Pres Corner Joint	
2 Takım / Set	LS60-MEK1		KALDIR-SÜR MEKANİZMASI / Lift&Slide Mechanism	

3 LÜ KANAT KESİM ÖLÇÜLERİ 3 SASHES CUTTING SIZE



CAM KESİM ÖLÇÜLERİ / GLASS CUTTING SIZES

KOD / Code	TANIMI / Description	KESİM ÖLÇÜSÜ / Cutting Dimensions
GW	CAM GENİŞLİK / Sash Glass Width	GW=SW-172mm
GH	CAM YÜKSEKLİK / Sash Glass Height	GH=SH-172mm

PROFİLLER / PROFILES

NO / Number	ADET / Unit	KOD / Code	PROFİL ÇİZİMİ / Drawing	PROFİL TANIMI / Description	KESİM ÖLÇÜSÜ / Cutting Dimensions
1	2	LS60 03		DÜŞEY KASA PROFİLİ / Vertical Frame Profile	FH
2	2	LS60 03		YATAY KASA PROFİLİ / Horizontal Frame Profile	FW
3	6	LS60 11		DÜŞEY KANAT PROFİLİ / Vertical Sash Profile	SH=SH-67mm
4	6	LS60 11		YATAY KANAT PROFİLİ / Horizontal Sash Profile	SW=FW3+37,2
5	4	LS60 42		KENET PROFİLİ / Central Locking Profile	LS40 42-SH
6	6	11_026		DÜŞEY CAM ÇİTASI / Vertical Glazing Bead	G1=SH-202mm
7	6	11_026		YATAY CAM ÇİTASI / Horizontal Glazing Bead	G2=SW-158m
	4	MO60-10		KENET PVC PROFİLİ / Central Locking PVC Profile	SH
	4	MO60-08		YATAY KASA KANAL PVC / Horizontal PVC Channel Profile	FW
	4	MO60-08		YATAY KASA KANAL PVC / Horizontal PVC Channel Profile	FH
	3	ASH-1NR 01		ÇELİK RAY PROFİLİ / Steel Rail Profile	FW-84mm

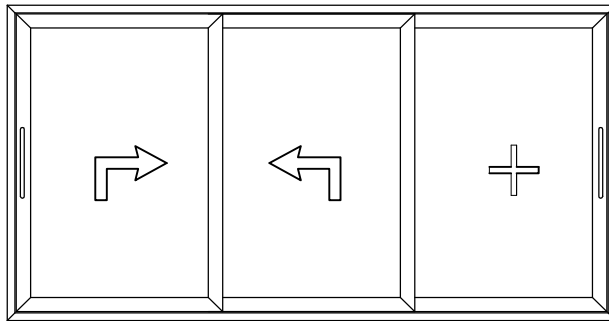
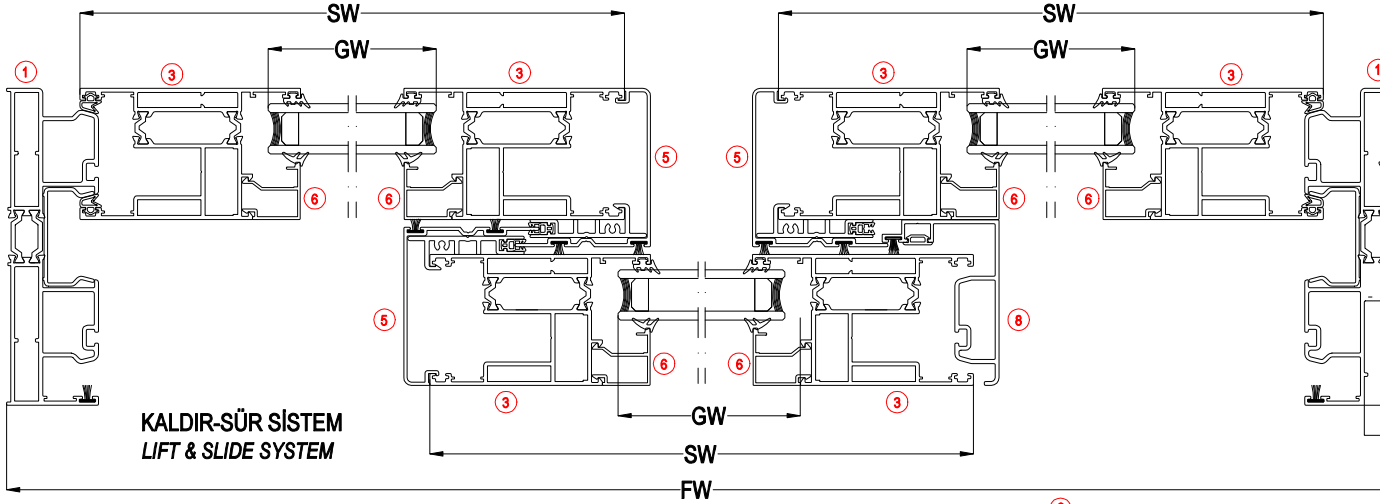
FİTİLLER / GASKETS

MİKTAR / Unit	KOD / Code	PROFİL ÇİZİMİ / Drawing	PROFİL TANIMI / Description	KESİM ÖLÇÜSÜ / Cutting Dimensions
mt	EP1-01		DIŞ CAM FİTİLİ / Outer Glazing Gasket	6x(G1+G2)
mt	EP2-01		İÇ CAM FİTİLİ / Inner Glazing Gasket	6x(G1+G2)
mt	EP60-03		KANAT ÜST FİTİLİ / Sash Gasket	6 x SW
mt	EP60-04		KENET FİTİLİ / Central Locking Gasket	4 x SH
mt	EP60-05		KANAT FİTİLİ / Sash Gasket	(4xSH)+(6xSW)
mt	INT1-01		KASA FİTİLİ / Frame Gasket	(6xFH) + (3xFW)
mt	KF 67-600		FİRÇA FİTİL / Brush Gasket - 6mm	8 x SH
mt	KF 67-700		FİRÇA FİTİL / Brush Gasket - 7mm	(2xFH)+(2xFW)

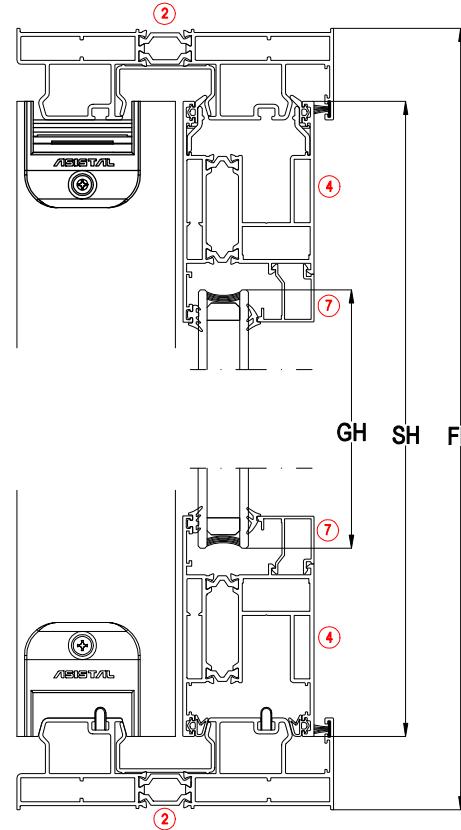
AKSESUARLAR / ACCESSORIES

4 Adet / Pcs	MO60-01		ALT KENET KAPAĞI / Interlock Profile Cap-Bottom
4 Adet / Pcs	MO60-02		ÜST KENET KAPAĞI / Interlock Profile Cap-Top
4 Adet / Pcs	MO60-03		MO60-10 ALT KAPAK PROFİLİ / Bottom Cover Profile
4 Adet / Pcs	MO60-04		MO60-10 ÜST KAPAK PROFİLİ / Top Cover Profile
2 Adet / Pcs	MO60-05G		ALT HAVA KESİCİ / Central Sealing - Bottom
2 Adet / Pcs	MO60-06G		ÜST HAVA KESİCİ / Central Sealing - Top
12 Adet / Pcs	MO60-13		KANAT DENGELEME PLASTİĞİ / Sash Stabilization Spacer
40 Adet / Pcs	ASI-SB 19.1		KÖŞE GÖNYESİ / Corner Alignment
12 Adet / Pcs	ASI-PB 1126 ASI-KT 1126		KÖŞE TAKOZU veya PİMLİ BAĞLANTI / Corner Joint Pres or Pin
12 Adet / Pcs	ASH-KT 1429		KÖŞE TAKOZU / Pres Corner Joint
24 Adet / Pcs	ASH-KT 2307		KÖŞE TAKOZU / Pres Corner Joint
2 Adet / Pcs	LS60-DB3560		KANAT SABİTLEME PARÇASI / Sash Fixing
2 Takım / Set	LS60-MEK1		KALDIR-SÜR MEKANİZMASI / Lift&Slide Mechanism

2'Lİ RAYDA 3 LÜ KANAT KESİM ÖLÇÜLERİ
3 SASHES CUTTING SIZE FOR DOUBLE RAIL FRAME



CAM KESİM ÖLÇÜLERİ / GLASS CUTTING SIZES		
KOD / Code	TANIMI / Description	KESİM ÖLÇÜSÜ / Cutting Dimensions
GW	CAM GENİŞLİK / Sash Glass Width	GW=SW-172mm
GH	CAM YÜKSEKLİK / Sash Glass Height	GH=SH-172mm

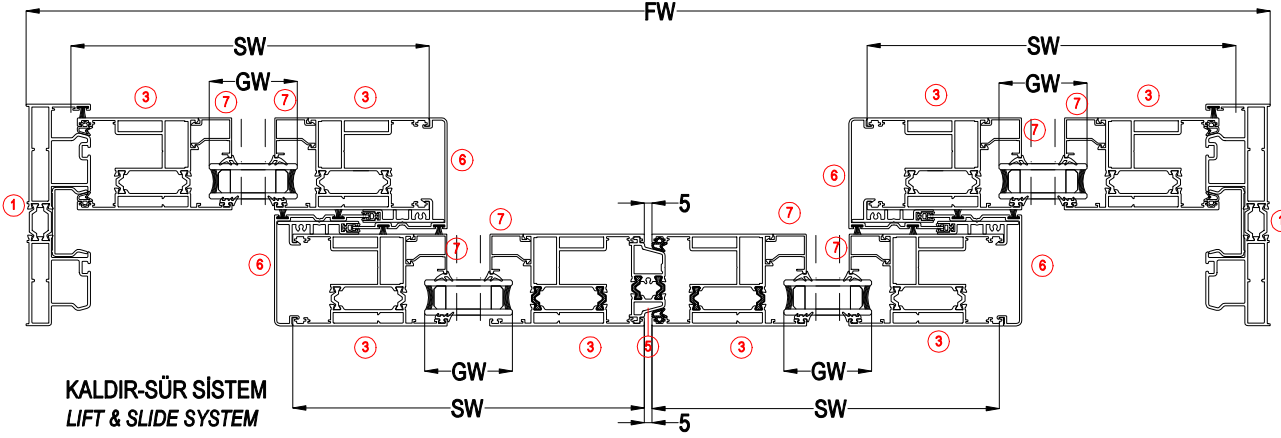


PROFİLLER / PROFILES					
NO / Number	ADET / Unit	KOD / Code	PROFİL ÇİZİMİ / Drawing	PROFİL TANIMI / Description	KESİM ÖLÇÜSÜ / Cutting Dimensions
1	2	LS60 02		DÜŞEY KASA PROFİLİ / Vertical Frame Profile	FH
2	2	LS60 02		YATAY KASA PROFİLİ / Horizontal Frame Profile	FW
3	6	LS60 11		DÜŞEY KANAT PROFİLİ / Vertical Sash Profile	SH=FW-67mm
4	6	LS60 11		YATAY KANAT PROFİLİ / Horizontal Frame Profile	SW=FW/3+37mm
5	4	LS60 42		KENET PROFİLİ / Central Locking Profile	LS40 42=SH
6	6	11_026		DÜŞEY CAM ÇİTASI / Vertical Glazing Bead	G1=SH-202mm
7	6	11_026		YATAY CAM ÇİTASI / Horizontal Glazing Bead	G2=SW-158mm
8	1	LS60 43		3'LÜ KANAT ADAPTÖR PROFİLİ / Adapter Profile	FH-84mm
PVC	3	MO60-10		KENET PVC PROFİLİ / Central Locking PVC Profile	SH
PVC	2	MO60-08		YATAY KASA KANAL PVC / Horizontal PVC Channel Profile	FW
PVC	2	MO60-08		YATAY KASA KANAL PVC / Horizontal PVC Channel Profile	FH
	2	ASH-1NR 01		ÇELİK RAY PROFİLİ / Steel Rail Profile	FW-84mm

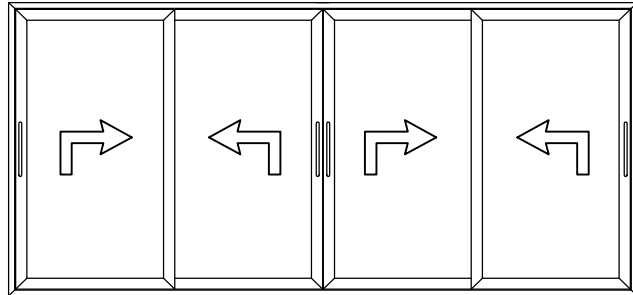
FİTİLLER / GASKETS				
MIKTAR / Unit	KOD / Code	PROFİL ÇİZİMİ / Drawing	PROFİL TANIMI / Description	KESİM ÖLÇÜSÜ / Cutting Dimensions
mt	EP1-01		DIŞ CAM FİTİLİ / Outer Glazing Gasket	6x(G1+G2)
mt	EP2-01		İÇ CAM FİTİLİ / Inner Glazing Gasket	6x(G1+G2)
mt	EP60-03		KANAT ÜST FİTİLİ / Sash Gasket	6 x SW
mt	EP60-04		KENET FİTİLİ / Central Locking Gasket	3 x SH
mt	EP60-05		KANAT FİTİLİ / Sash Gasket	(6xSH)+(6xSW)
mt	INT1-01		KASA FİTİLİ / Frame Gasket	(4xFH) + (2xFW)
mt	INT2-02		KANAL FİTİLİ / Adapter Gasket	1xSH
mt	KF 67-600		FİRÇA FİTİL / Brush Gasket - 6mm	6 x SH
mt	KF 67-700		FİRÇA FİTİL / Brush Gasket - 7mm	(2xFH)+(2xFW)
mt	KF 67-1000		FİRÇA FİTİL / Brush Gasket - 10mm	1xSH

AKSESUARLAR / ACCESSORIES				
3 Adet / Pcs	MO60-01		ALT KENET KAPAĞI / Interlock Profile Cap-Bottom	
3 Adet / Pcs	MO60-02		ÜST KENET KAPAĞI / Interlock Profile Cap-Top	
3 Adet / Pcs	MO60-03		MO60-10 ALT KAPAK PROFİLİ / Bottom Cover Profile	
3 Adet / Pcs	MO60-04		MO60-10 ÜST KAPAK PROFİLİ / Top Cover Profile	
2 Adet / Pcs	MO60-05G		ALT HAVA KESİCİ / Central Sealing - Bottom	
2 Adet / Pcs	MO60-06G		ÜST HAVA KESİCİ / Central Sealing - Top	
12 Adet / Pcs	MO60-13		KANAT DENGELEME PLASTİĞİ / Sash Stabilization Spacer	
40 Adet / Pcs	ASI-SB 19.1		KÖŞE GÖNYESİ / Corner Alignment	
8 Adet / Pcs	ASI-PB 1126 ASI-KT 1126		KÖŞE TAKOZU veya PİMLİ BAĞLANTI / Corner Joint Pres or Pin	
12 Adet / Pcs	ASI-KT 1429		KÖŞE TAKOZU / Pres Corner Joint	
24 Adet / Pcs	ASI-KT 2307		KÖŞE TAKOZU / Pres Corner Joint	
2 Adet / Pcs	LS60-DB3560		KANAT SABİTLEME PARÇASI / Sash Fixing	
2 Takım / Set	LS60-MEK1		KALDIR-SÜR MEKANİZMASI / Lift&Slide Mechanism	

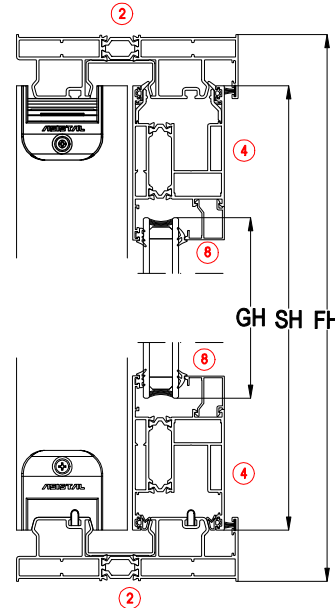
4 LÜ KANAT KESİM ÖLÇÜLERİ
4 SLIDING SASHES CUTTING SIZE



KALDIR-SÜR SİSTEM
LIFT & SLIDE SYSTEM



CAM KESİM ÖLÇÜLERİ / GLASS CUTTING SIZES		
KOD / Code	TANIMI / Description	KESİM ÖLÇÜSÜ / Cutting Dimensions
GW	CAM GENİŞLİK / Sash Glass Width	GW=SW-172mm
GH	CAM YÜKSEKLİK / Sash Glass Height	GH=SH-172mm



PROFİLLER / PROFILES

SIRA NO / Number	ADET / Unit	KOD / Code	PROFİL ÇİZİMİ / Drawing	PROFİL TANIMI / Description	KESİM ÖLÇÜSÜ / Cutting Dimensions
1	2	LS60 04		DÜŞEY KASA PROFİLİ / Vertical Frame Profile	FH
2	2	LS60 04		YATAY KASA PROFİLİ / Horizontal Frame Profile	FW
3	8	LS60 11		DÜŞEY KANAT PROFİLİ / Vertical Sash Profile	SH=FW-67mm
4	8	LS60 11		YATAY KANAT PROFİLİ / Horizontal Sash Profile	SW=FW+26,8mm
5	1	LS60-41		ADAPTÖR PROFİLİ / Adapter Profile	LS60 41=SH-50mm
6	4	LS60-42		KENET PROFİLİ / Central Locking Profile	LS40 42=SH
7	8	11_026		DÜŞEY CAM ÇITASI / Vertical Glazing Bead	G1=SH-202mm
8	8	11_026		YATAY CAM ÇITASI / Horizontal Glazing Bead	G2=SW-158mm
	4	MO60-10		KENET PVC PROFİLİ / Central Locking PVC Profile	SH
	2	MO60-08		YATAY KASA KANAL PVC / Horizontal PVC Channel Profile	SW
	2	MO60-08		DÜŞEY KASA KANAL PVC / Vertical PVC Channel Profile	SH
	2	ASH-NR 01		ÇELİK RAY PROFİLİ / Steel Rail Profile	FW-84mm

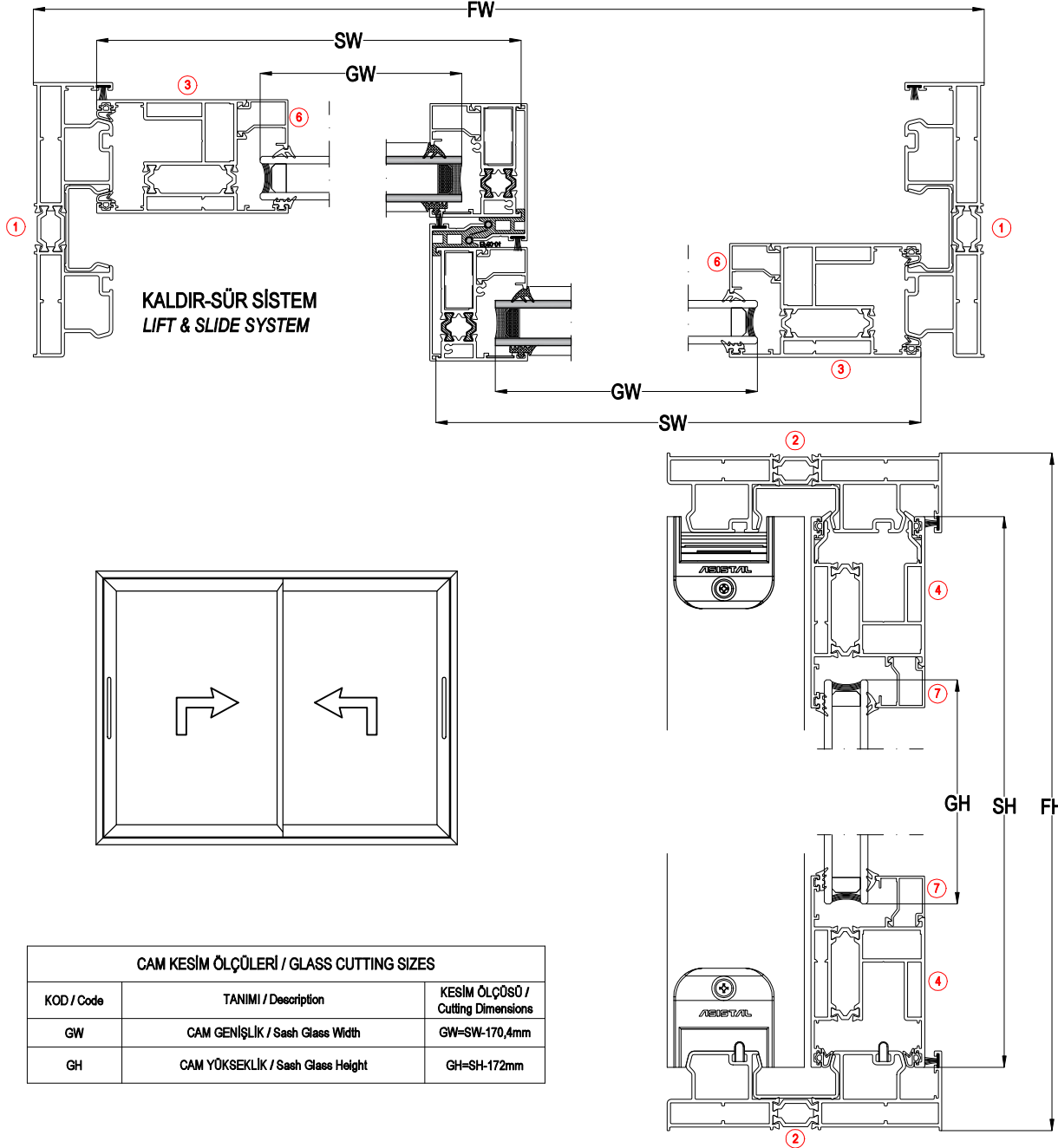
FİTİLLER / GASKETS

MIKTAR / Unit	KOD / Code	PROFİL ÇİZİMİ / Drawing	PROFİL TANIMI / Description	KESİM ÖLÇÜSÜ / Cutting Dimensions
mt	EP1-01		DIŞ CAM FİTİLİ / Outer Glazing Gasket	8x(G1+G2)
mt	EP2-01		İÇ CAM FİTİLİ / Inner Glazing Gasket	8x(G1+G2)
mt	EP60-03		KANAT ÜST FİTİLİ / Sash Gasket	8 x SW
mt	EP60-04		KENET FİTİLİ / Central Locking Gasket	4 x SH
mt	EP60-05		KANAT FİTİLİ / Sash Gasket	(6xSH)+(8xSW)
mt	INT1-01		KASA FİTİLİ / Frame Gasket	(4xFH) +(2x FW)
mt	KF 67-600		FİRÇA FİTİLİ / Brush Gasket - 6mm	8xSH
mt	KF 67-700		FİRÇA FİTİLİ / Brush Gasket - 7mm	(2xFH)+(2xFW)

AKSESUARLAR / ACCESSORIES

4 Adet / Pcs	MO60-01		ALT KENET KAPAĞI / Interlock Profile Cap-Bottom	
4 Adet / Pcs	MO60-02		ÜST KENET KAPAĞI / Interlock Profile Cap-Top	
4 Adet / Pcs	MO60-03		MO60-10 ALT KAPAK PROFİLİ / Bottom Cover Profile	
4 Adet / Pcs	MO60-04		MO60-10 ÜST KAPAK PROFİLİ / Top Cover Profile	
2 Adet / Pcs	MO60-05G		ALT HAVA KESİCİ / Central Sealing - Bottom	
2 Adet / Pcs	MO60-06G		ÜST HAVA KESİCİ / Central Sealing - Top	
2 Adet / Pcs	MO60-12		ADAPTÖR KAPAĞI / Adapter Cover	
16 Adet / Pcs	MO60-13		KANAT DENGEME PLASTİĞİ / Sash Stabilization Spacer	
52 Adet / Pcs	ASI-SB 19.1		KÖŞE GÖNYESİ / Corner Alignment	
8 Adet / Pos	ASI-PB 1126 ASI-KT 1126		KÖŞE TAKOZU veya PİMLİ BAĞLANTI / Corner Joint Pres or Pin	
16 Adet / Pcs	ASI-KT 1429		KÖŞE TAKOZU / Pres Corner Joint	
32 Adet / Pcs	ASI-KT 2307		KÖŞE TAKOZU / Pres Corner Joint	
2 Takım / Set	LS60-MEK1		KALDIR-SÜR MEKANİZMASI / Lift&Slide Mechanism	
1 Takım / Set	LS60-MEK1D		KALDIR-SÜR MEKANİZMASI / Lift&Slide Mechanism	

2 HAREKETLİ KANAT DAR KENET KESİM ÖLÇÜLERİ 2 SLIDING SASHES CUTTING SIZE

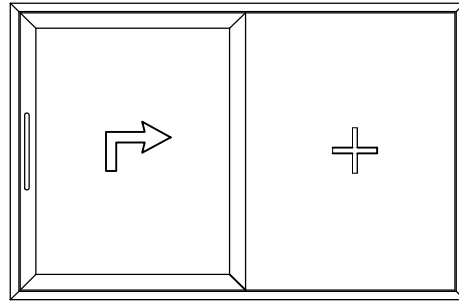
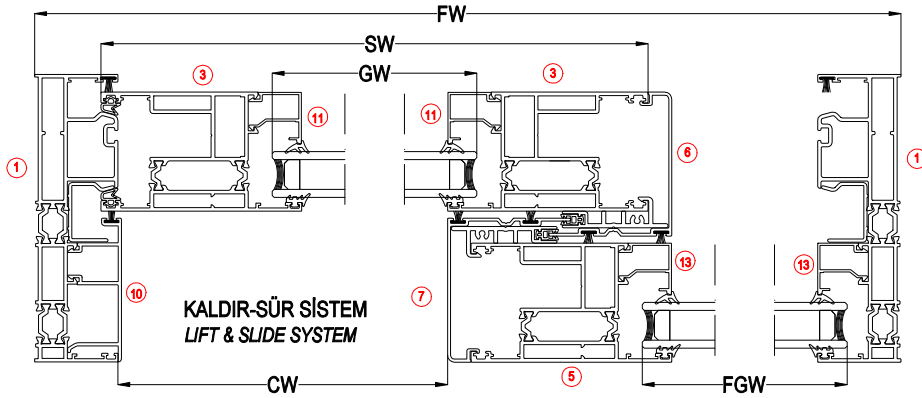


PROFİLLER / PROFILES					
NO / Number	ADET / Unit	KOD / Code	PROFİL ÇİZİMİ / Drawing	PROFİL TANIMI / Description	KESİM ÖLÇÜSÜ / Cutting Dimensions
1	2	LS60 02		DÜŞEY KASA PROFİLİ / Vertical Frame Profile	FH
2	2	LS60 02		YATAY KASA PROFİLİ / Horizontal Frame Profile	FW
3	2	LS60 11/12		DÜŞEY KANAT PROFİLİ / Vertical Sash Profile	SH=FW-67mm
4	4	LS60 11/12		YATAY KANAT PROFİLİ / Horizontal Sash Profile	SW=FW+41,4mm
4-1	2	LS60 112/113		DÜŞEY DAR KANAT PROFİLİ / Vertical Sash Profile	SH1=FW-172,4mm
5	2	LS60 45		KENET PROFİLİ / Central Locking Profile	LS40 42=SH
6	4	11_026		DÜŞEY CAM ÇİTASI / Vertical Glazing Bead	G1=SH-202mm
7	4	11_026		YATAY CAM ÇİTASI / Horizontal Glazing Bead	G2=SW-148,7m
PVC	2	MO60-11		KENET PVC PROFİLİ / Central Locking PVC Profile	SH
PVC	2	MO60-08		YATAY KASA KANAL PVC / Horizontal PVC Channel Profile	FW
PVC	2	MO60-08		YATAY KASA KANAL PVC / Horizontal PVC Channel Profile	FH
	2	ASH-NR 01		ÇELİK RAY PROFİLİ / Steel Rail Profile	FW-84mm

FİTİLLER / GASKETS				
MİKTAR / Unit	KOD / Code	PROFİL ÇİZİMİ / Drawing	PROFİL TANIMI / Description	KESİM ÖLÇÜSÜ / Cutting Dimensions
mt	EP1-01		DIŞ CAM FİTİLİ / Outer Glazing Gasket	4x(G1+G2)
mt	EP2-01		İÇ CAM FİTİLİ / Inner Glazing Gasket	4x(G1+G2)
mt	EP60-03		KANAT ÜST FİTİLİ / Sash Gasket	4 x SW
mt	EP5-01		O.RING / Gasket	2 x SH
mt	EP60-05		KANAT FİTİLİ / Sash Gasket	(4xSH)+(4xSW)
mt	INT1-01		KASA FİTİLİ / Frame Gasket	(4xFH) + (2xFW)
mt	KF 67-600		FİRÇA FİTİL / Brush Gasket - 6mm	4 x SH
mt	KF 67-700		FİRÇA FİTİL / Brush Gasket - 7mm	(2xFH)+(2xFW)

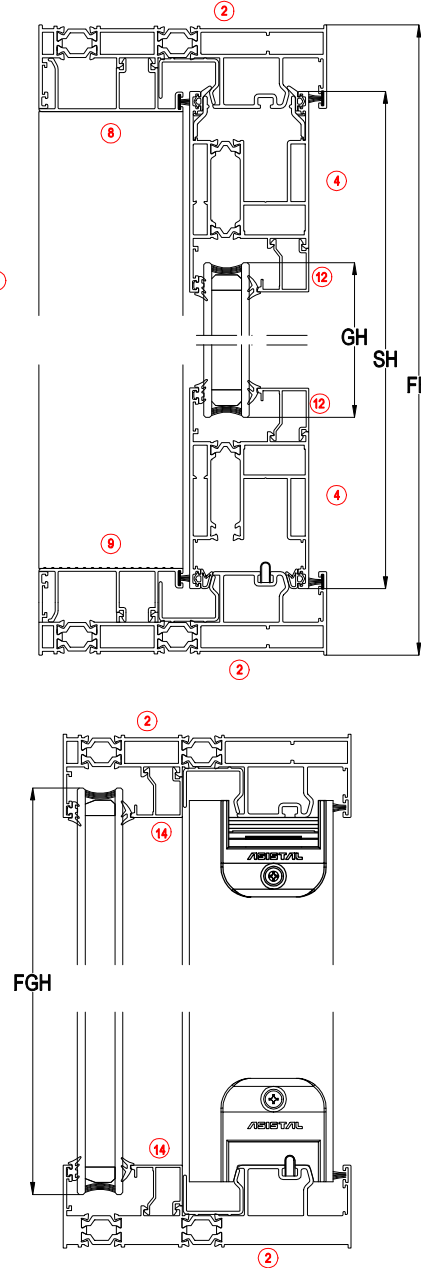
AKSESUARLAR / ACCESSORIES				
2 Adet / Pos	MO60-01		ALT KENET KAPAĞI / Interlock Profile Cap-Bottom	
2 Adet / Pos	MO60-02		ÜST KENET KAPAĞI / Interlock Profile Cap-Top	
1 Adet / Pos	MO60-05G		ALT HAVA KESİCİ / Central Sealing - Bottom	
1 Adet / Pos	MO60-06G		ÜST HAVA KESİCİ / Central Sealing - Top	
8 Adet / Pos	MO60-13		KANAT DENGELEME PLASTİĞİ / Sash Stabilization Spacer	
28 Adet / Pos	ASI-SB 19.1		KÖŞE GÖNYESİ / Corner Alignment	
8 Adet / Pos	ASI-PB 1126 ASI-KT 1126		KÖŞE TAKOZU veya PİMLİ BAĞLANTI / Corner Joint Pres or Pin	
8 Adet / Pos	ASI-KT 1429		KÖŞE TAKOZU / Pres Corner Joint	
16 Adet / Pos	ASI-KT 2307		KÖŞE TAKOZU / Pres Corner Joint	
2 Takım / Set	LS60-MEK1		KALDIR-SÜR MEKANİZMASI / Lift&Slide Mechanism	

HAREKETLİ KANADI İÇERİDE OLAN MONORAIL SİSTEM MONORAIL SYSTEM WITH SLIDING SASH INSIDE



CAM KESİM ÖLÇÜLERİ / GLASS CUTTING SIZES (24mm CAM İÇİN/ 24mm Glazing)

KOD / Code	TANIMI / Description	KESİM ÖLÇÜSÜ / Cutting Dimensions
GW	HAREKETLİ KANAT CAM GENİŞLİK / Sash Glass Width	GW=SW-172mm
GH	HAREKETLİ KANAT CAM YÜKSEKLİK / Sash Glass Height	GH=SH-172mm
FGW	SABİT KISIM CAM GENİŞLİK / Fixed Glass Width	FGW=FW2-74mm
FGH	SABİT KISIM CAM YÜKSEKLİK / Fixed Glass Height	FGH=FH-64mm



PROFİLLER / PROFILES

NO / Number	ADET / Unit	KOD / Code	PROFİL ÇİZİMİ / Drawing	PROFİL TANIMI / Description	KESİM ÖLÇÜSÜ / Cutting Dimensions
1	2	LS60 04		DÜŞEY KASA PROFİLİ / Vertical Frame Profile	FH
2	2	LS60 04		YATAY KASA PROFİLİ / Horizontal Frame Profile	FW
3	2	LS60 11		DÜŞEY KANAT PROFİLİ / Vertical Sash Profile	SH=FH-67mm
4	2	LS60 11		YATAY KANAT PROFİLİ / Horizontal Sash Profile	SW=FW2+11 mm
5	1	LS60 11		ORTA KAYIT PROFİLİ / Transom Locking Profile	TH=FH-43mm
6	1	LS60 42		KENET PROFİLİ / Central Locking Profile	LS40 42=SH
7	1	LS60 42		ORTA KAYIT KENET PROFİLİ / Transom Cover	FH-43mm
8	1	LS60 31		ÜST KAPAK PROFİLİ / Top Cover Profile	CW=FW2 - 100mm
9	1	LS60 32		ALT KAPAK PROFİLİ / Bottom Cover Profile	CW=FW2 - 100mm
10	1	LS60 31		YAN KAPAK PROFİLİ / Side Cover Profile	CH=FH - 88mm
11	2	11_026		DÜŞEY CAM ÇİTASI / Vertical Glazing Bead	G1=SH - 203mm
12	2	11_026		YATAY CAM ÇİTASI / Horizontal Glazing Bead	G2=SW - 159mm
13	2	11_026		SABİT DÜŞEY CAM ÇİTASI / Fixed Vertical Glazing Bead	G3=SH-87mm
14	2	11_026		SABİT YATAY CAM ÇİTASI / Fixed Horizontal Glazing Bead	G4=FW2-56,5mm
	2	MO60-10		KENET PVC PROFİLİ / Central Locking PVC Profile	SH
0	2	MO60-07		YATAY KASA KANAL PVC / Horizontal PVC Channel Profile	FW
0	2	MO60-07		DÜŞEY KASA KANAL PVC / Vertical PVC Channel Profile	FH
0	1	ASI-HR 01		ÇELİK RAY PROFİLİ / Steel Rail Profile	FW-84mm

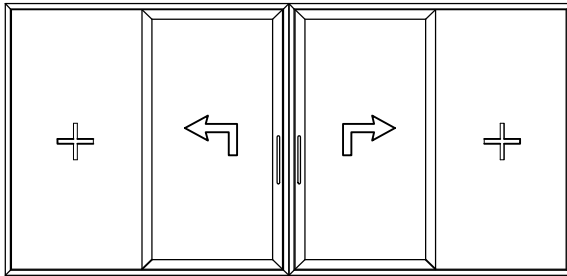
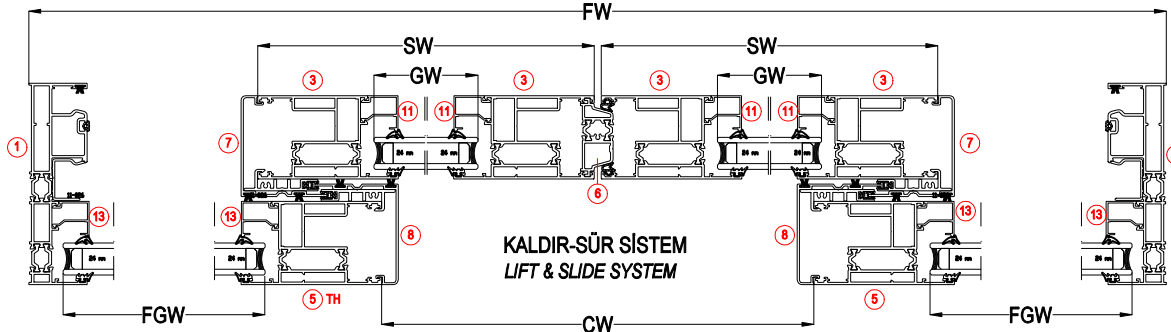
FİTİLLER / GASKETS

MİKTAR / Unit	KOD / Code	PROFİL ÇİZİMİ / Drawing	PROFİL TANIMI / Description	KESİM ÖLÇÜSÜ / Cutting Dimensions
mt	EP1-01		DIŞ CAM FİTİLİ / Outer Glazing Gasket	2x(G1+G2+G3+G4)
mt	EP2-01		İÇ CAM FİTİLİ / Inner Glazing Gasket	2x(G1+G2+G3+G4)
mt	EP60-04		KENET FİTİLİ / Central Locking Gasket	2 x SH
mt	EP60-05		KANAT FİTİLİ / Sash Gasket	(2xSH) x (2xSW)
mt	INT1-01		KASA FİTİLİ / Frame Gasket	(2xFH) x FW
mt	EP60-03		KANAT ÜST FİTİLİ / Sash Gasket	2xSW
mt	KF 67-600		FİRÇA FİTİL / Brush Gasket - 6mm	4xSH
mt	KF 67-700		FİRÇA FİTİL / Brush Gasket - 7mm	(2xFH)+(2xFW)+CH+(2 xCW)

AKSESUARLAR / ACCESSORIES

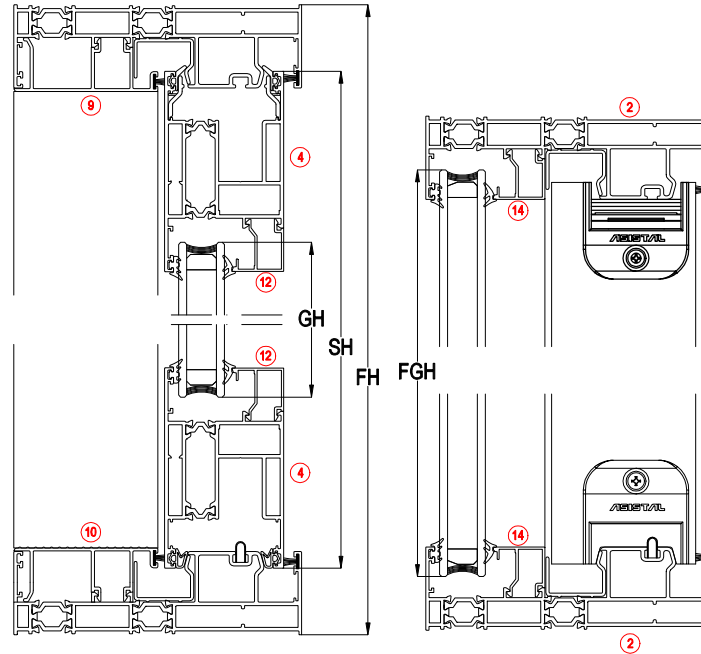
1 Adet / Pcs	MO60-01		ALT KENET KAPAĞI / Interlock Profile Cap-Bottom	
1 Adet / Pcs	MO60-02		ÜST KENET KAPAĞI / Interlock Profile Cap-Top	
1 Adet / Pcs	MO60-03		MO60-10 ALT KAPAK PROFİLİ / Bottom Cover Profile	
1 Adet / Pcs	MO60-04		MO60-10 ÜST KAPAK PROFİLİ / Top Cover Profile	
1 Adet / Pcs	MO60-05D		ALT HAVA KESİCİ / Central Sealing - Bottom	
1 Adet / Pcs	MO60-06D		ÜST HAVA KESİCİ / Central Sealing - Top	
4 Adet / Pcs	MO60-13		KANAT DENGELEME PLASTİĞİ / Sash Stabilization Spacer	
2 Adet / Pcs	LS60-DB 3580		KANAT SABİTLEME PARÇASI / Sash Fixing Part	
20 Adet / Pcs	ASI-SB 19.1		KÖŞE GÖNYESİ / Corner Alignment	
8 Adet / Pcs	ASI-PB 1126 ASI-KT 1126		KÖŞE TAKOZU veya PİMLİ BAĞLANTI / Corner Joint Pres or Pin	
4 Adet / Pcs	ASI-KT 1429		KÖŞE TAKOZU / Pres Corner Joint	
8 Adet / Pcs	ASI-KT 2307		KÖŞE TAKOZU / Pres Corner Joint	
1 Takım / Set	LS60-MEK1		KALDIR-SÜR MEKANİZMASI / Lift&Slide Mechanism	

SABİTLİ KASADA 2 HAREKETLİ KANAT KESİM ÖLÇÜLERİ
2 SLIDING SASH IN FIXED FRAME CUTTING SIZE



CAM KESİM ÖLÇÜLERİ / GLASS CUTTING SIZES (24mm CAM İÇİN/ 24mm Glazing)

KOD / Code	TANIMI / Description	KESİM ÖLÇÜSÜ / Cutting Dimensions
GW	HAREKETLİ KANAT CAM GENİŞLİK / Sash Glass Width	GW=SW-172mm
GH	HAREKETLİ KANAT CAM YÜKSEKLİK / Sash Glass Height	GH=SH-172mm
FGW	SABİT KISIM CAM GENİŞLİK / Fixed Glass Width	FGW=FW/4-57mm
FGH	SABİT KISIM CAM YÜKSEKLİK / Fixed Glass Height	FGH=FW/4-57mm



PROFİLLER / PROFILES

NO / Number	ADET / Unit	KOD / Code	PROFİL ÇİZİMİ / Drawing	PROFİL TANIMI / Description	KESİM ÖLÇÜSÜ / Cutting Dimensions
1	2	LS60 04		DÜŞEY KASA PROFİLİ / Vertical Frame Profile	FH
2	2	LS60 04		YATAY KASA PROFİLİ / Horizontal Frame Profile	FW
3	4	LS60 11		DÜŞEY KANAT PROFİLİ / Vertical Sash Profile	SH=FW-67mm
4	4	LS60 11		YATAY KANAT PROFİLİ / Horizontal Sash Profile	SW=FW/4+25,4mm
5	2	LS60 11		ORTA KAYIT PROFİLİ / Transom Locking Profile	TH=FW-43mm
6	1	LS60 41		ADAPTÖR PROFİLİ / Adaptor Profile	LS60 41=SH-50mm
7	2	LS60 42		KENET PROFİLİ / Central Locking Profile	LS40 42=SH
8	2	LS60 42		ORTA KAYIT KENET PROFİLİ / Transom Cover	FH-43mm
9	1	LS60 31		ÜST KAPAK PROFİLİ / Top Cover Profile	CW=FW/2-146mm
10	1	LS60 32		ALT KAPAK PROFİLİ / Bottom Cover Profile	CW=FW/2-146mm
11	4	11_026		DÜŞEY CAM ÇİTASI / Vertical Glazing Bead	G1=SH-203mm
12	4	11_026		YATAY CAM ÇİTASI / Horizontal Glazing Bead	G2=SW-159mm
13	4	11_026		SABİT DÜŞEY CAM ÇİTASI / Fixed Vertical Glazing Bead	G3=FW-87mm
14	4	11_026		SABİT YATAY CAM ÇİTASI / Fixed Horizontal Glazing Bead	G4=FW/4-40mm
0	4	MO60-10		KENET PVC PROFİLİ / Central Locking PVC Profile	SH
0	2	MO60-07		YATAY KASA KANAL PVC / Horizontal PVC Channel Profile	FW
0	2	MO60-07		DÜŞEY KASA KANAL PVC / Vertical PVC Channel Profile	FH
0	1	ASH-NR 01		ÇELİK RAY PROFİLİ / Steel Rail Profile	FW-84mm

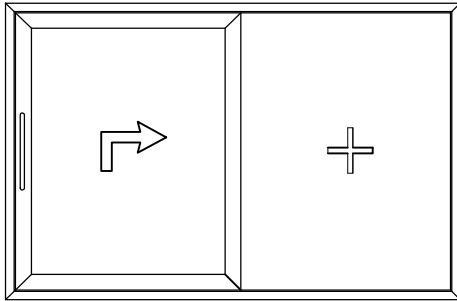
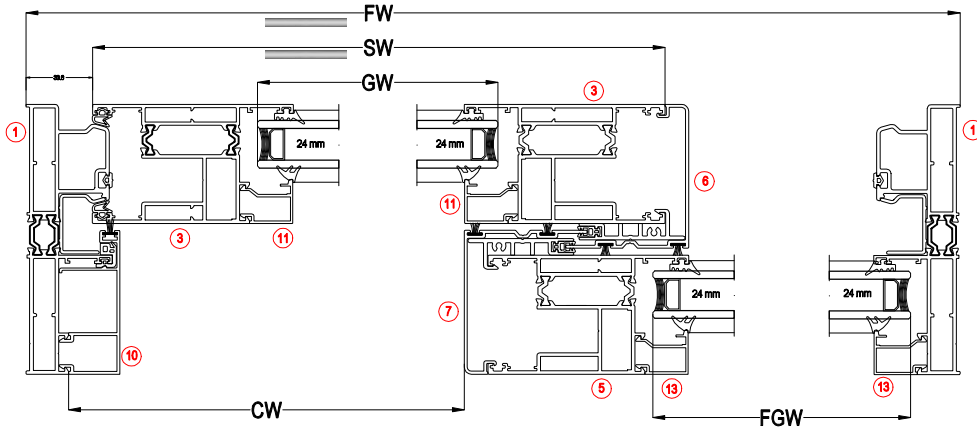
FİTİLLER / GASKETS

MİKTAR / Unit	KOD / Code	PROFİL ÇİZİMİ / Drawing	PROFİL TANIMI / Description	KESİM ÖLÇÜSÜ / Cutting Dimensions
mt	EP1-01		DİŞ CAM FİTİLİ / Outer Glazing Gasket	4x(G1+G2+G3+G4)
mt	EP2-01		İÇ CAM FİTİLİ / Inner Glazing Gasket	4x(G1+G2+G3+G4)
mt	EP60-03		KANAT ÜST FİTİLİ / Sash Gasket	4 x SW
mt	EP60-04		KENET FİTİLİ / Central Locking Gasket	4 x SH
mt	EP60-05		KANAT FİTİLİ / Sash Gasket	(2xSH)+(4xSW)
mt	INT1-01		KASA FİTİLİ / Frame Gasket	(2xFH) + FW
mt	KF 67-800		FİRÇA FİTİL / Brush Gasket - 6mm	8xSH
mt	KF 67-700		FİRÇA FİTİL / Brush Gasket - 7mm	(2xFH)+(2xFW)+(2xCW)

AKSESUARLAR / ACCESSORIES

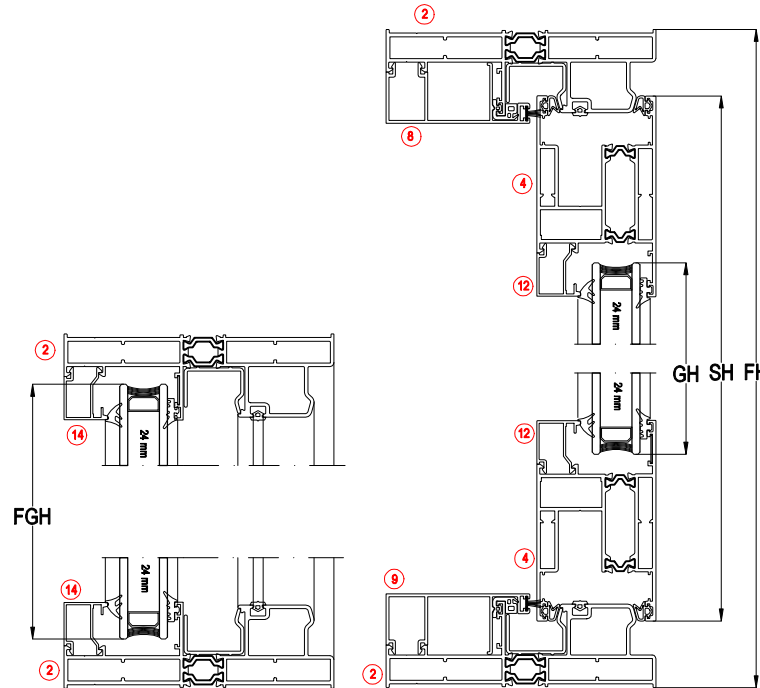
2 Adet / Pcs	MO60-01		ALT KENET KAPAĞI / Interlock Profile Cap-Bottom	
2 Adet / Pcs	MO60-02		ÜST KENET KAPAĞI / Interlock Profile Cap-Top	
2 Adet / Pcs	MO60-03		MO60-10 ALT KAPAK PROFİLİ / Bottom Cover Profile	
2 Adet / Pcs	MO60-04		MO60-10 ÜST KAPAK PROFİLİ / Top Cover Profile	
2 Adet / Pcs	MO60-05D		ALT HAVA KESİCİ / Central Sealing - Bottom	
2 Adet / Pcs	MO60-06D		ÜST HAVA KESİCİ / Central Sealing - Top	
2 Adet / Pcs	MO60-12		ADAPTÖR KAPAĞI / Adaptor Cover	
8 Adet / Pcs	MO60-13		KANAT DENGELEME PLASTİĞİ / Sash Stabilization Spacer	
4 Adet / Pcs	LS60-DB 3560		KANAT SABİTLEME PARÇASI / Sash Fixing Part	
32 Adet / Pcs	ASI-SB 19.1		KÖŞE GÖNYESİ / Corner Alignment	
8 Adet / Pcs	ASI-PB 1126 ASI-KT 1126		KÖŞE TAKOZU veya PİMLİ BAĞLANTI / Corner Joint Pres or Pin	
8 Adet / Pcs	ASI-KT 1429		KÖŞE TAKOZU / Pres Corner Joint	
16 Adet / Pcs	ASI-KT 2307		KÖŞE TAKOZU / Pres Corner Joint	
1 Takım / Set	LS60-MEK1D		KALDIR-SÜR MEKANİZMASI / Lift&Slide Mechanism	

HAREKETLİ KANADI DIŞARIDA OLAN MONORAIL SİSTEM MONORAIL SYSTEM WITH SLIDING SASH OUTSIDE



CAM KESİM ÖLÇÜLERİ / GLASS CUTTING SIZES (24mm CAM İÇİN/24mm Glazing)

KOD / Code	TANIMI / Description	KESİM ÖLÇÜSÜ / Cutting Dimensions
GW	HAREKETLİ KANAT CAM GENİŞLİK / Sash Glass Width	GW=SW-172,06mm
GH	HAREKETLİ KANAT CAM YÜKSEKLİK / Sash Glass Height	GH=SH-172,06mm
FGW	SABİT KISIM CAM GENİŞLİK / Fixed Glass Width	FGW=FW2-115,54mm
FGH	SABİT KISIM CAM YÜKSEKLİK / Fixed Glass Height	FGH=FH-49,86mm



PROFİLLER / PROFILES

NO / Number	ADET / Unit	KOD / Code	PROFİL ÇİZİMİ / Drawing	PROFİL TANIMI / Description	KESİM ÖLÇÜSÜ / Cutting Dimensions
1	2	LS60 08		DÜŞEY KASA PROFİLİ / Vertical Frame Profile	FH
2	2	LS60 08		YATAY KASA PROFİLİ / Horizontal Frame Profile	FW
3	2	LS60 11		DÜŞEY KANAT PROFİLİ / Vertical Sash Profile	SH=FW-7,14mm
4	2	LS60 11		YATAY KANAT PROFİLİ / Horizontal Frame Profile	SW=FW2+56,56 mm
5	1	LS60 11		ORTA KAYIT PROFİLİ / Transom Locking Profile	TH=FW-43mm
6	1	LS60 42		KENET PROFİLİ / Central Locking Profile	LS40 42=SH
7	1	LS60 42		ORTA KAYIT KENET PROFİLİ / Transom Cover	FH-43mm
8	1	LS60 40		ÜST KAPAK PROFİLİ / Top Cover Profile	CW=FW2 - 32,23mm
9	1	LS60 40		ALT KAPAK PROFİLİ / Bottom Cover Profile	CW=FW2 - 32,23mm
10	1	LS60 40		YAN KAPAK PROFİLİ / Side Cover Profile	CH=FW - 84,58mm
11	2	11_022		DÜŞEY CAM ÇİTASI / Vertical Glazing Bead	G1=SH - 267,8mm
12	2	11_022		YATAY CAM ÇİTASI / Horizontal Glazing Bead	G2=SW - 203,06mm
13	2	11_022		SABİT DÜŞEY CAM ÇİTASI / Fixed Vertical Glazing Bead	G3=FW-86,64mm
14	2	11_022		SABİT YATAY CAM ÇİTASI / Fixed Horizontal Glazing Bead	G4=FW2-97,47mm
	2	MO60-10		KENET PVC PROFİLİ / Central Locking PVC Profile	SH
0	2	MO60-07		YATAY KASA KANAL PVC / Horizontal PVC Channel Profile	FW
0	2	MO60-07		DÜŞEY KASA KANAL PVC / Vertical PVC Channel Profile	FH
0	1	ASH-INR 01		ÇELİK RAY PROFİLİ / Steel Rail Profile	FW-72mm

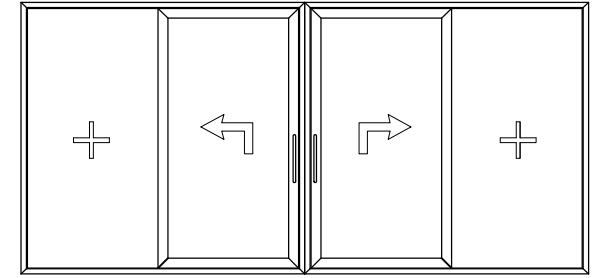
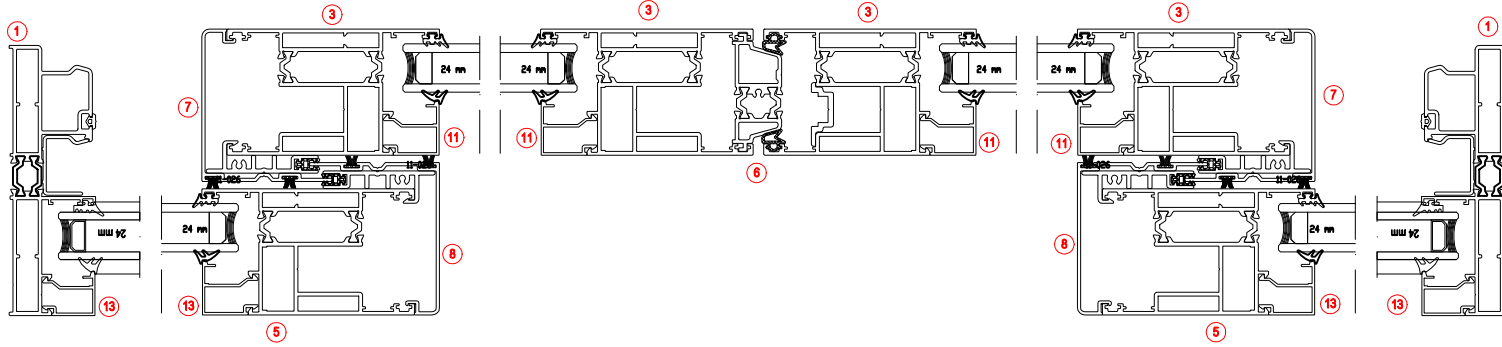
FİTİLLER / GASKETS

MİKTAR / Unit	KOD / Code	PROFİL ÇİZİMİ / Drawing	PROFİL TANIMI / Description	KESİM ÖLÇÜSÜ / Cutting Dimensions
mt	EP1-01		DIŞ CAM FİTİLİ / Outer Glazing Gasket	2x(G1+G2+G3+G4)
mt	EP2-01		İÇ CAM FİTİLİ / Inner Glazing Gasket	2x(G1+G2+G3+G4)
mt	EP60-04		KENET FİTİLİ / Central Locking Gasket	2 x SH
mt	EP60-05		KANAT FİTİLİ / Sash Gasket	(2xSH)+(2xSW)
mt	INT1-01		KASA FİTİLİ / Frame Gasket	(2xSH) + FW
mt	EP60-03		KANAT ÜST FİTİLİ / Sash Gasket	2xSW
mt	KF 67-600		FİRÇA FİTİL / Brush Gasket - 6mm	4xSH
mt	KF 67-700		FİRÇA FİTİL / Brush Gasket - 7mm	(2xSH)+(2xFW)+CH+(2x CW)
mt	EP38-03		SABİT ÇİTA FİTİLİ / Fixed Frame Gasket	CW

AKSESUARLAR / ACCESSORIES

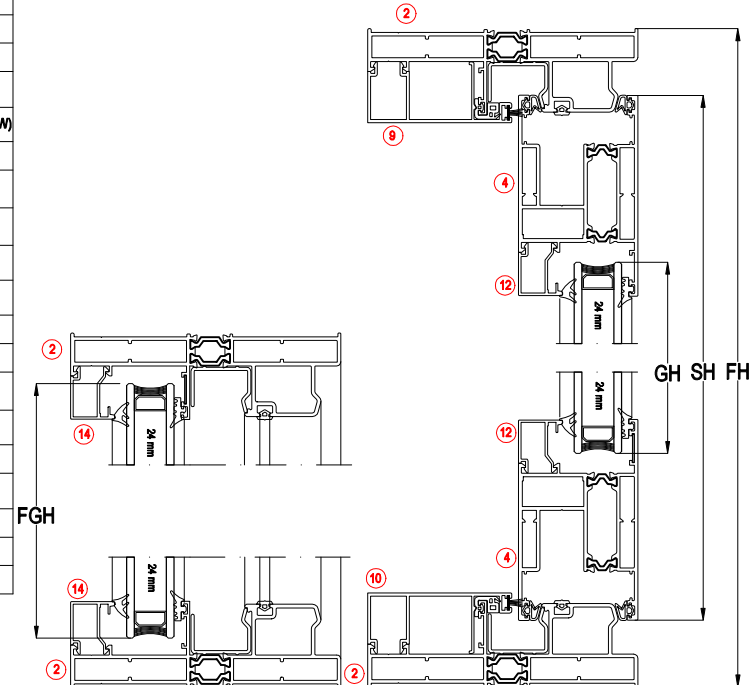
1 Adet / Pos	MO60-01		ALT KENET KAPAĞI / Interlock Profile Cap-Bottom
1 Adet / Pos	MO60-02		ÜST KENET KAPAĞI / Interlock Profile Cap-Top
1 Adet / Pos	MO60-03		MO60-10 ALT KAPAK PROFİLİ / Bottom Cover Profile
1 Adet / Pos	MO60-04		MO60-10 ÜST KAPAK PROFİLİ / Top Cover Profile
1 Adet / Pos	MO60-05D		ALT HAVA KESİCİ / Central Sealing - Bottom
1 Adet / Pos	MO60-08D		ÜST HAVA KESİCİ / Central Sealing - Top
4 Adet / Pos	MO60-13		KANAT DENGELEME PLASTİĞİ / Sash Stabilization Spacer
2 Adet / Pos	LS60-DB 3580		KANAT SABİTLEME PARÇASI / Sash Fixing Part
20 Adet / Pos	ASI-SB 19.1		KÖŞE GÖNYESİ / Corner Alignment
8 Adet / Pos	ASI-PB 1126 ASI-KT 1126		KÖŞE TAKOZU veya PİMLİ BAĞLANTI / Corner Joint Pres or Pin
4 Adet / Pos	ASI-KT 1429		KÖŞE TAKOZU / Pres Corner Joint
8 Adet / Pos	ASI-KT 2307		KÖŞE TAKOZU / Pres Corner Joint
1 Takım / Set	LS60-MEK1		KALDIR-SÜR MEKANİZMASI / Lift&Slide Mechanism

HAREKETLİ KANADI DIŞARIDA KASADA 2 HAREKETLİ KANAT KESİM ÖLÇÜLERİ MONORAIL SYSTEM WITH SLIDING SASH OUTSIDE 2 SLIDING SASH IN FIXED FRAME CUTTING SIZE

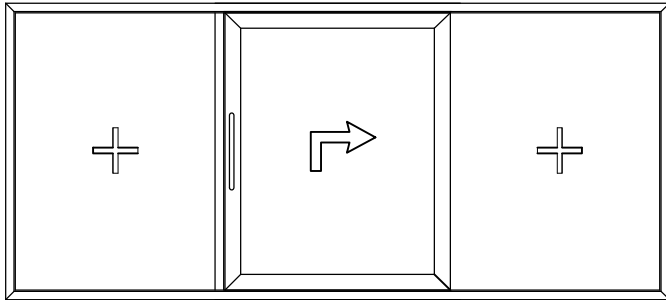
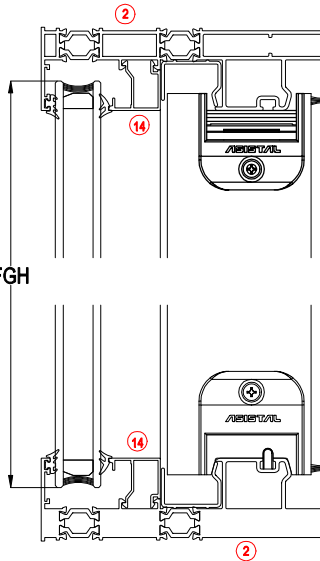
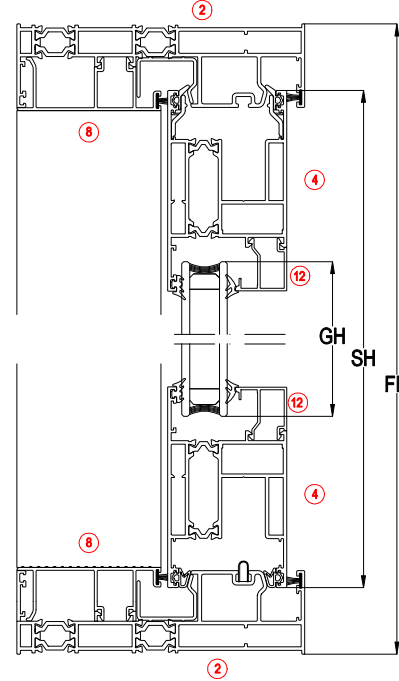
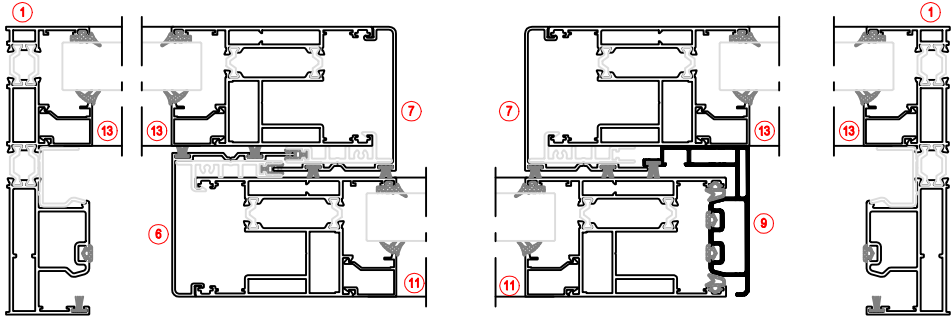


PROFİLLER / PROFILES					
NO / Number	ADET / Unit	KOD / Code	PROFİL ÇİZİMİ / Drawing	PROFİL TANIMI / Description	KESİM ÖLÇÜSÜ / Cutting Dimensions
1	2	LS80 08		DÜŞEY KASA PROFİLİ / Vertical Frame Profile	FH
2	2	LS80 08		YATAY KASA PROFİLİ / Horizontal Frame Profile	FW
3	4	LS80 11		DÜŞEY KANAT PROFİLİ / Vertical Sash Profile	SH=FH-87mm
4	4	LS80 11		YATAY KANAT PROFİLİ / Horizontal Sash Profile	SW=FW/4+77,7mm
5	2	LS80 11		ORTA KAYIT PROFİLİ / Transom Locking Profile	TH=FH-43mm
6	1	LS80 41		ADAPTÖR PROFİLİ / Adaptor Profil	LS80 41=SH-50mm
7	2	LS80 42		KENET PROFİLİ / Central Locking Profile	LS40 42=SH
8	2	LS80 42		ORTA KAYIT KENET PROFİLİ / Transom Cover	FH-43mm
9	1	LS80 40		ÜST KAPAK PROFİLİ / Top Cover Profile	CW=FW/2-53,12mm
10	1	LS80 40		ALT KAPAK PROFİLİ / Bottom Cover Profile	CW=FW/2-53,12mm
11	4	11_022		DÜŞEY CAM ÇİTASI / Vertical Glazing Bead	G1=SH-202mm
12	4	11_022		YATAY CAM ÇİTASI / Horizontal Glazing Bead	G2=SW-187,5mm
13	4	11_022		SABİT DÜŞEY CAM ÇİTASI / Fixed Vertical Glazing Bead	G3=FH-87mm
14	4	11_022		SABİT YATAY CAM ÇİTASI / Fixed Horizontal Glazing Bead	G4=FW/4-91,12mm
15	1	LS80 44		İSPANYOLET KİLİTLEME KANAL PROFİLİ / Multi Lock Profile	SH - 500mm
PVC	4	MO60-10		KENET PVC PROFİLİ / Central Locking PVC Profile	SH
PVC	2	MO60-07		YATAY KASA KANAL PVC / Horizontal PVC Channel Profile	FW
PVC	2	MO60-07		DÜŞEY KASA KANAL PVC / Vertical PVC Channel Profile	FH
0	1	ASH-NR 01		ÇELİK RAY PROFİLİ / Steel Rail Profile	FW-73mm
CAM KESİM ÖLÇÜLERİ / GLASS CUTTING SIZES (24mm CAM İÇİN/ 24mm Glazing)					
KOD / Code	TANIMI / Description			KESİM ÖLÇÜSÜ / Cutting Dimensions	
GW	HAREKETLİ KANAT CAM GENİŞLİK / Sash Glass Width			GW=SW-177,2mm	
GH	HAREKETLİ KANAT CAM YÜKSEKLİK / Sash Glass Height			GH=SH-167,5mm	
FGW	SABİT KISIM CAM GENİŞLİK / Fixed Glass Width			FGW=FW/4 - 99,5mm	
FGH	SABİT KISIM CAM YÜKSEKLİK / Fixed Glass Height			FGH=FH-50mm	

FİTİLLER / GASKETS					
MİKTAR / Unit	KOD / Code	PROFİL ÇİZİMİ / Drawing	PROFİL TANIMI / Description	KESİM ÖLÇÜSÜ / Cutting Dimensions	
mt	EP1-01		DIŞ CAM FİTİLİ / Outer Glazing Gasket	4x(G1+G2+G3+G4)	
mt	EP2-01		İÇ CAM FİTİLİ / Inner Glazing Gasket	4x(G1+G2+G3+G4)	
mt	EP80-04		KENET FİTİLİ / Central Locking Gasket	4 x SH	
mt	EP38-03		SABİT ÇİTA FİTİLİ / Fixed Frame Gasket	2xSH+8xSW	
mt	INT1-01		KASA FİTİLİ / Frame Gasket	(2xFH) + FW	
mt	EP60-05		KANAT FİTİLİ / Sash Gasket	(2xSH)+(4xSW)	
mt	KF 67-600		FİRÇA FİTİL / Brush Gasket - 6mm	8xSH	
mt	KF 67-700		FİRÇA FİTİL / Brush Gasket - 7mm	(2xFH)+(2xFW)+(2xCW)	
AKSESUARLAR / ACCESSORIES					
2 Adet / Pos	MO60-01		ALT KENET KAPAĞI / Interlock Profile Cap-Bottom		
2 Adet / Pos	MO60-02		ÜST KENET KAPAĞI / Interlock Profile Cap-Top		
2 Adet / Pos	MO60-03		MO60-10 ALT KAPAK PROFİLİ / Bottom Cover Profile		
2 Adet / Pos	MO60-04		MO60-10 ÜST KAPAK PROFİLİ / Top Cover Profile		
4 Adet / Pos	MO60-06D		ÜST HAVA KESİCİ / Central Sealing - Top		
2 Adet / Pos	MO60-12		ADAPTÖR KAPAĞI / Adaptor Cover		
8 Adet / Pos	MO60-13		KANAT DENGESİLEME PARÇASI / Sash Stabilization Spacer		
4 Adet / Pos	LS80-DB 3560		KANAT SABİTLEME PARÇASI / Sash Fixing Part		
32 Adet / Pos	ASI-SB 19.1		KÖŞE GÖNYESİ / Corner Alignment		
8 Adet / Pos	ASI-PB 1126 ASI-KT 1126		KÖŞE TAKOZU veya PİMLİ BAĞLANTI / Corner Joint Pres or Pin		
8 Adet / Pos	ASI-KT 1429		KÖŞE TAKOZU / Pres Corner Joint		
16 Adet / Pos	ASI-KT 2307		KÖŞE TAKOZU / Pres Corner Joint		
1 Takım / Set	LS60-MEK1D		KALDIR-SÜR MEKANİZMASI / Lift&Slide Mechanism		



HAREKETLİ KANADI İÇERİDE OLAN MONORAIL SİSTEM MONORAIL SYSTEM WITH SLIDING SASH INSIDE



CAM KESİM ÖLÇÜLERİ / GLASS CUTTING SIZES (24mm CAM İÇİN/ 24mm Glazing)

KOD / Code	TANIMI / Description	KESİM ÖLÇÜSÜ / Cutting Dimensions
GW	HAREKETLİ KANAT CAM GENİŞLİK / Sash Glass Width	GW=SW-172mm
GH	HAREKETLİ KANAT CAM YÜKSEKLİK / Sash Glass Height	GH=SH-172mm
FGW	SABİT KISIM CAM GENİŞLİK / Fixed Glass Width	FGW=FW2-74mm
FGH	SABİT KISIM CAM YÜKSEKLİK / Fixed Glass Height	FGH=FH-64mm

PROFİLLER / PROFILES

NO / Number	ADET / Unit	KOD / Code	PROFİL ÇİZİMİ / Drawing	PROFİL TANIMI / Description	KESİM ÖLÇÜSÜ / Cutting Dimensions
1	2	LS60 04		DÜŞEY KASA PROFİLİ / Vertical Frame Profile	FH
2	2	LS60 04		YATAY KASA PROFİLİ / Horizontal Frame Profile	FW
3	2	LS60 11		DÜŞEY KANAT PROFİLİ / Vertical Sash Profile	SH=SH-67mm
4	2	LS60 11		YATAY KANAT PROFİLİ / Horizontal Sash Profile	SW=FW3+67,9mm
5	2	LS60 11		ORTA KAYIT PROFİLİ / Transom Locking Profile	TH=SH-43mm
6	1	LS60 42		KENET PROFİLİ / Central Locking Profile	LS40 42=SH
7	1	LS60 42		ORTA KAYIT KENET PROFİLİ / Transom Cover	FH-43mm
8	2	LS60 31		ALT ÜST KAPAK PROFİLİ / Top Bottom Cover Profile	CW=FW3 - 104,3mm
9	1	LS60 43		3'LÜ KANAT ADAPTÖR PROFİLİ / ADAPTER PROFILE	FH-43mm
11	2	11_026		DÜŞEY CAM ÇİTASI / Vertical Glazing Bead	G1=SH - 203mm
12	2	11_026		YATAY CAM ÇİTASI / Horizontal Glazing Bead	G2=SW - 159mm
13	4	11_026		SABİT DÜŞEY CAM ÇİTASI / Fixed Vertical Glazing Bead	G3=SH-67mm
14	4	11_026		SABİT YATAY CAM ÇİTASI / Fixed Horizontal Glazing Bead	G4=FW3-36,4mm
	2	MO60-10		KENET PVC PROFİLİ / Central Locking PVC Profile	SH
0	2	MO60-07		YATAY KASA KANAL PVC / Horizontal PVC Channel Profile	FW
0	2	MO60-07		DÜŞEY KASA KANAL PVC / Vertical PVC Channel Profile	FH
0	1	ASH-NR 01		ÇELİK RAY PROFİLİ / Steel Rail Profile	FW-84mm

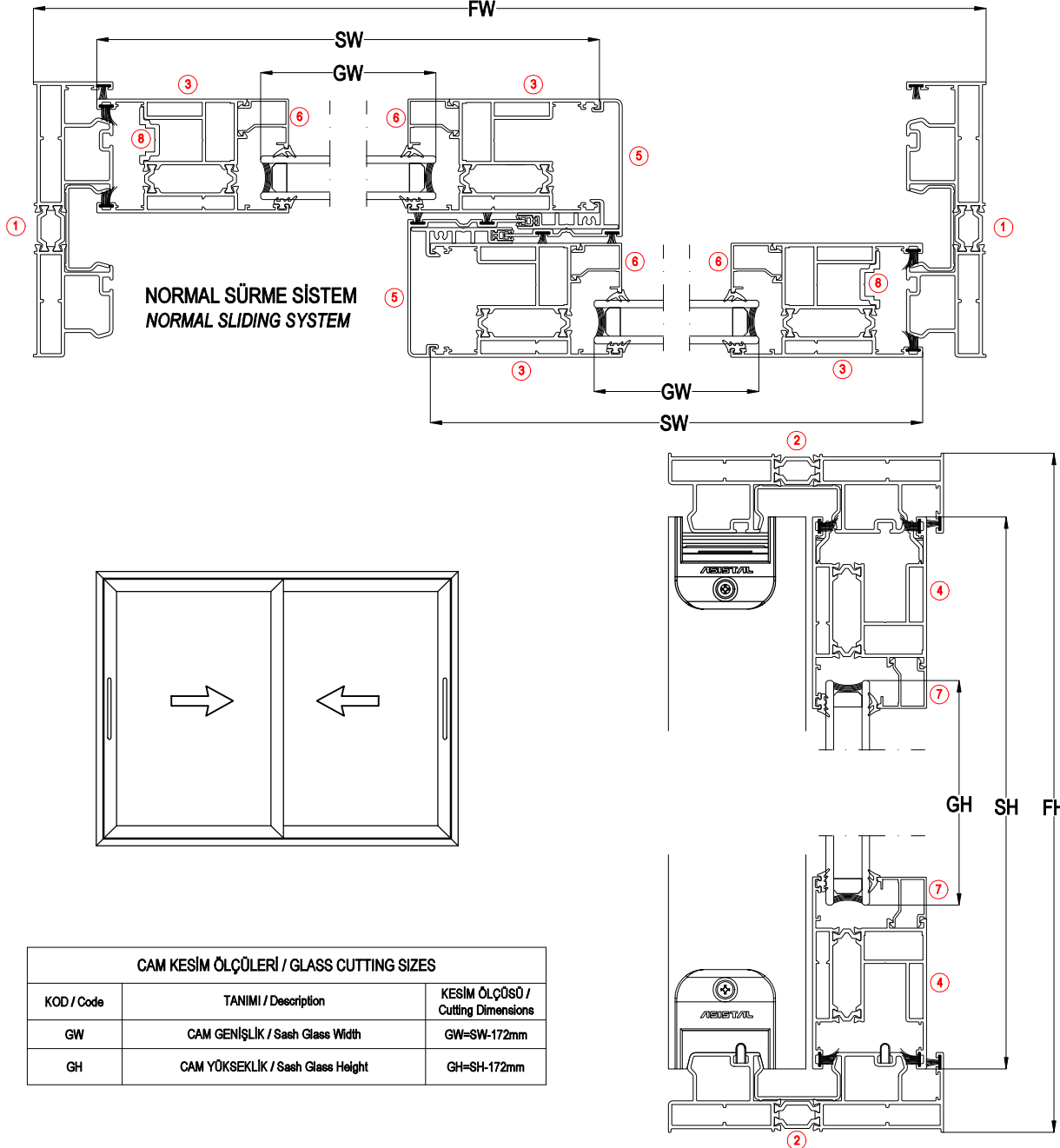
FİTİLLER / GASKETS

MİKTAR / Unit	KOD / Code	PROFİL ÇİZİMİ / Drawing	PROFİL TANIMI / Description	KESİM ÖLÇÜSÜ / Cutting Dimensions
mt	EP1-01		DIŞ CAM FİTİLİ / Outer Glazing Gasket	(G1+G2+G3+G4)
mt	EP2-01		İÇ CAM FİTİLİ / Inner Glazing Gasket	(G1+G2+G3+G4)
mt	EP60-04		KENET FİTİLİ / Central Locking Gasket	2 x SH
mt	EP60-05		KANAT FİTİLİ / Sash Gasket	(2xSH)+(2xSW)
mt	INT1-01		KASA FİTİLİ / Frame Gasket	(2xFH) + FW
mt	EP60-03		KANAT ÜST FİTİLİ / Sash Gasket	2xSW
mt	KF 67-600		FİRÇA FİTİLİ / Brush Gasket - 6mm	(4xSH)+2FH+2XFW
mt	KF 67-1000		FİRÇA FİTİLİ / Brush Gasket - 7mm	SH

AKSESUARLAR / ACCESSORIES

1 Adet / Pcs	MO60-01		ALT KENET KAPAĞI / Interlock Profile Cap-Bottom	
1 Adet / Pcs	MO60-02		ÜST KENET KAPAĞI / Interlock Profile Cap-Top	
1 Adet / Pcs	MO60-03		MO60-10 ALT KAPAK PROFİLİ / Bottom Cover Profile	
1 Adet / Pcs	MO60-04		MO60-10 ÜST KAPAK PROFİLİ / Top Cover Profile	
1 Adet / Pcs	MO60-05D		ALT HAVA KESİCİ / Central Sealing - Bottom	
1 Adet / Pcs	MO60-06D		ÜST HAVA KESİCİ / Central Sealing - Top	
2 Adet / Pcs	MO60-13		KANAT DENGELEME PLASTİĞİ / Sash Stabilization Spacer	
2 Adet / Pcs	LS60-DB 3580		KANAT SABİTLEME PARÇASI / Sash Fixing Part	
16 Adet / Pcs	ASI-SB 19.1		KÖŞE GÖNYESİ / Corner Alignment	
8 Adet / Pcs	ASI-PB 1126 ASI-KT 1126		KÖŞE TAKOZU veya PİMLİ BAĞLANTI / Corner Joint Pres or Pin	
4 Adet / Pcs	ASI-KT 1429		KÖŞE TAKOZU / Pres Corner Joint	
8 Adet / Pcs	ASI-KT 2307		KÖŞE TAKOZU / Pres Corner Joint	
1 Takım / Set	LS60-MEK1		KALDIR-SÜR MEKANİZMASI / Lift&Slide Mechanism	

NORMAL SÜRME 2 HAREKETLİ KANAT KESİM ÖLÇÜLERİ 2 SLIDING SASHES CUTTING SIZE FOR NORMAL SLIDING

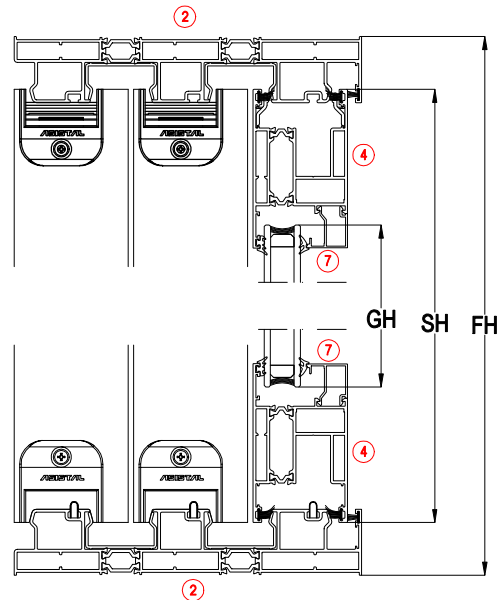
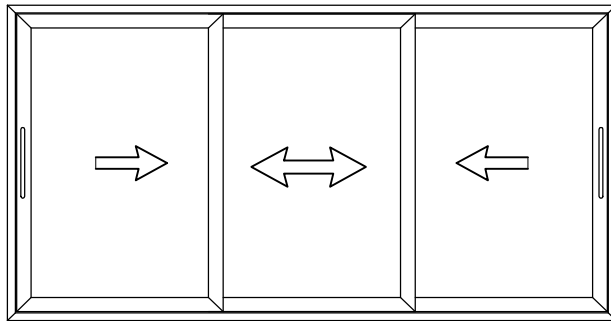
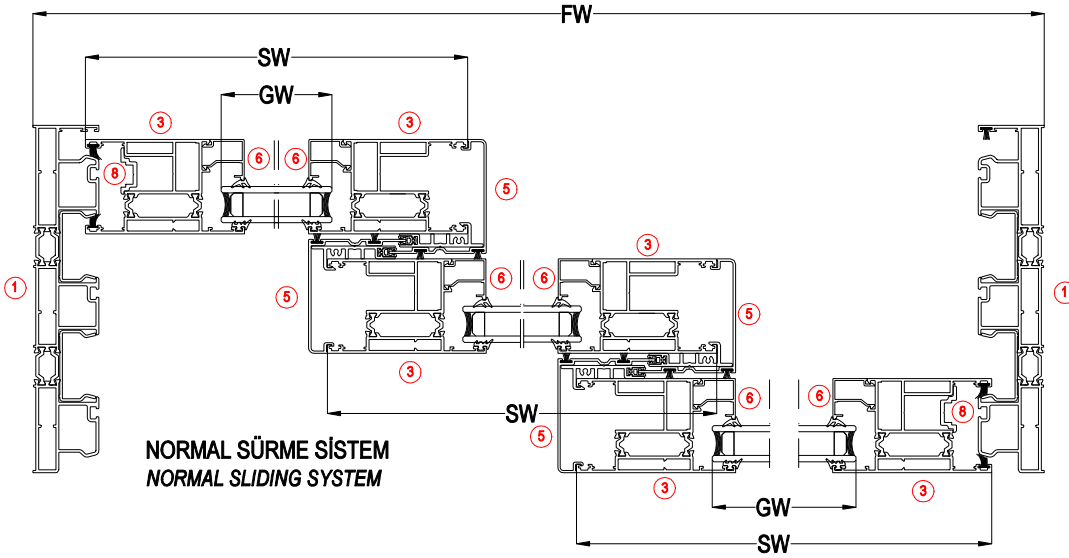


PROFİLLER / PROFILES					
NO / Number	ADET / Unit	KOD / Code	PROFİL ÇİZİMİ / Drawing	PROFİL TANIMI / Description	KESİM ÖLÇÜSÜ / Cutting Dimensions
1	2	LS60 02		DÜŞEY KASA PROFİLİ / Vertical Frame Profile	FH
2	2	LS60 02		YATAY KASA PROFİLİ / Horizontal Frame Profile	FW
3	4	LS60 11		DÜŞEY KANAT PROFİLİ / Vertical Sash Profile	SH=FH-67mm
4	4	LS60 11		YATAY KANAT PROFİLİ / Horizontal Frame Profile	SW=FW+11,1mm
5	2	LS60 42		KENET PROFİLİ / Central Locking Profile	LS40 42=SH
6	4	11_026		DÜŞEY CAM ÇITASI / Vertical Glazing Bead	G1=SH-202mm
7	4	11_026		YATAY CAM ÇITASI / Horizontal Glazing Bead	G2=SW-158m
8	2	LS60 44		İSPANYOLET KİLİTLEME KANAL PROFİLİ / Multi Lock Profile	SH - 500mm
PVC	2	MO60-10		KENET PVC PROFİL / Central Locking PVC Profile	SH
PVC	2	MO60-08		YATAY KASA KANAL PVC / Horizontal PVC Channel Profile	FW
PVC	2	MO60-08		YATAY KASA KANAL PVC / Horizontal PVC Channel Profile	FH
	2	ASH-INR 01		ÇELİK RAY PROFİLİ / Steel Rail Profile	FW-84mm

FİTİLLER / GASKETS				
MİKTAR / Unit	KOD / Code	PROFİL ÇİZİMİ / Drawing	PROFİL TANIMI / Description	KESİM ÖLÇÜSÜ / Cutting Dimensions
mt	EP1-01		DIŞ CAM FİTİLİ / Outer Glazing Gasket	4x(G1+G2)
mt	EP2-01		İÇ CAM FİTİLİ / Inner Glazing Gasket	4x(G1+G2)
mt	EP60-04		KENET FİTİLİ / Central Locking Gasket	2 x SH
mt	INT1-01		KASA FİTİLİ / Frame Gasket	(4xSH) + (2xFW)
mt	KF 67-600		FİRÇA FİTİL / Brush Gasket - 6mm	4 x SH
mt	KF 67-700		FİRÇA FİTİL / Brush Gasket - 7mm	(2xSH)+(2xFW)
mt	KF 67-1000		FİRÇA FİTİL / Brush Gasket - 10mm	(4xSH)+(4xSW)

AKSESUARLAR / ACCESSORIES				
2 Adet / Pcs	MO60-01		ALT KENET KAPAĞI / Interlock Profile Cap-Bottom	
2 Adet / Pcs	MO60-02		ÜST KENET KAPAĞI / Interlock Profile Cap-Top	
2 Adet / Pcs	MO60-03		MO60-10 ALT KAPAK PROFİLİ / Bottom Cover Profile	
2 Adet / Pcs	MO60-04		MO60-10 ÜST KAPAK PROFİLİ / Top Cover Profile	
2 Adet / Pcs	MO60-06G		ÜST HAVA KESİCİ / Central Sealing - Top	
8 Adet / Pcs	MO60-13		KANAT DENGELEME PLASTİĞİ / Sash Stabilization Spacer	
28 Adet / Pcs	ASI-SB 19.1		KÖŞE GÖNYESİ / Corner Alignment	
8 Adet / Pcs	ASI-PB 1126 ASI-KT 1126		KÖŞE TAKOZU veya PİMLİ BAĞLANTI / Corner Joint Pres or Pin	
8 Adet / Pcs	ASI-KT 1429		KÖŞE TAKOZU / Pres Corner Joint	
16 Adet / Pcs	ASI-KT 2307		KÖŞE TAKOZU / Pres Corner Joint	
4 Adet / Pcs	ASI-SR 04		İKİLİ RULMAN / Double Roller	
2 Adet / Pcs	ASI-ISP 15.3		İSPANYOLET KİLİTLEME / Multi Point Lock	
6 Adet / Pcs	ASI-ISP K03		İSPANYOLET KİLİT KARŞILIĞI / Multi Point Strike	
2 Adet / Pcs	ASI-WH 002		İSPANYOLET KİLİTLEME KOL / Window Handle	

3 LÜ KANAT KESİM ÖLÇÜLERİ
3 SASHES CUTTING SIZE



CAM KESİM ÖLÇÜLERİ / GLASS CUTTING SIZES		
KOD / Code	TANIMI / Description	KESİM ÖLÇÜSÜ / Cutting Dimensions
GW	CAM GENİŞLİK / Sash Glass Width	GW=SW-172mm
GH	CAM YÜKSEKLİK / Sash Glass Height	GH=SH-172mm

PROFİLLER / PROFILES

NO / Number	ADET / Unit	KOD / Code	PROFİL ÇİZİMİ / Drawing	PROFİL TANIMI / Description	KESİM ÖLÇÜSÜ / Cutting Dimensions
1	2	LS60 03		DÜŞEY KASA PROFİLİ / Vertical Frame Profile	FH
2	2	LS60 03		YATAY KASA PROFİLİ / Horizontal Frame Profile	FW
3	6	LS60 11		DÜŞEY KANAT PROFİLİ / Vertical Sash Profile	SH=FW-67mm
4	6	LS60 11		YATAY KANAT PROFİLİ / Horizontal Sash Profile	SW=FW/3+37,2
5	4	LS60 42		KENET PROFİLİ / Central Locking Profile	LS40 42=SH
6	6	11_026		DÜŞEY CAM ÇITASI / Vertical Glazing Bead	G1=SH-202mm
7	6	11_026		YATAY CAM ÇITASI / Horizontal Glazing Bead	G2=SW-158mm
8	2	LS60 44		İSPANYOLET KİLİTLEME KANAL PROFİLİ / Multi Lock Profile	SH - 500mm
PVC	4	MO60-10		KENET PVC PROFİL / Central Locking PVC Profile	SH
PVC	4	MO60-08		YATAY KASA KANAL PVC / Horizontal PVC Channel Profile	FW
PVC	4	MO60-08		YATAY KASA KANAL PVC / Horizontal PVC Channel Profile	FH
	3	ASH-INR 01		ÇELİK RAY PROFİLİ / Steel Rail Profile	FW-84mm

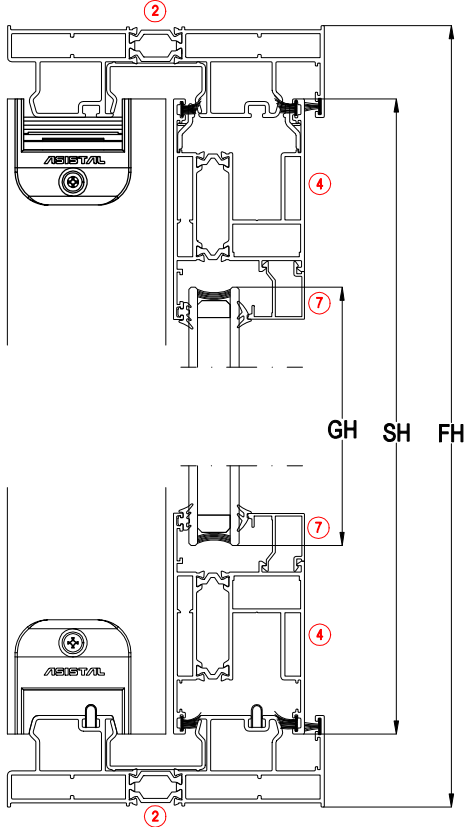
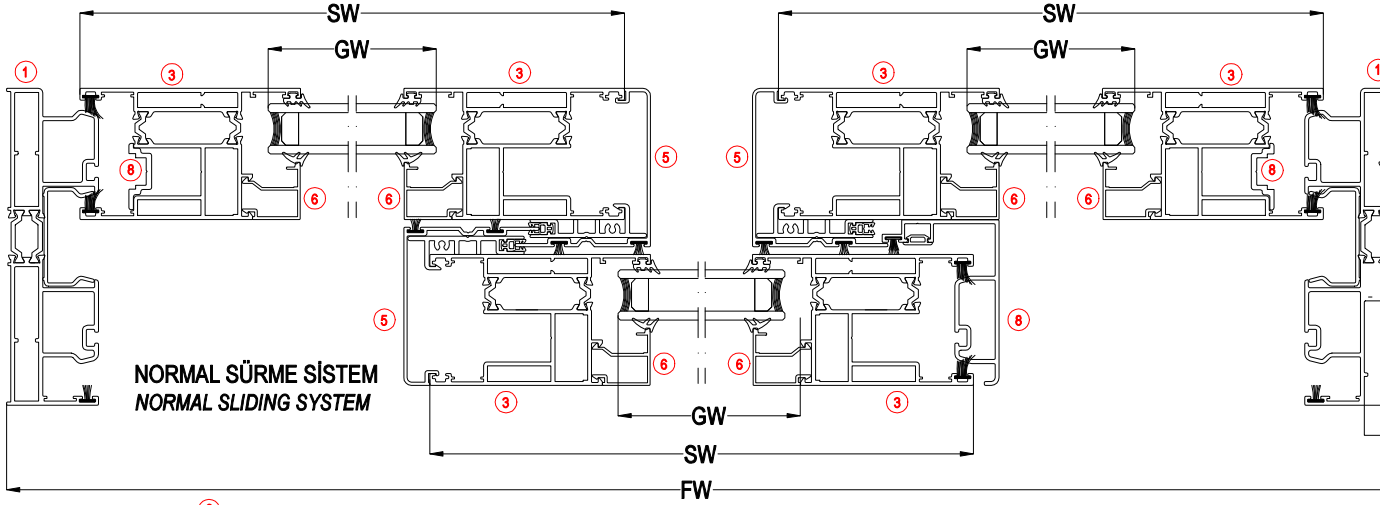
FİTİLLER / GASKETS

MİKTAR / Unit	KOD / Code	PROFİL ÇİZİMİ / Drawing	PROFİL TANIMI / Description	KESİM ÖLÇÜSÜ / Cutting Dimensions
mt	EP1-01		DIŞ CAM FİTİLİ / Outer Glazing Gasket	6x(G1+G2)
mt	EP2-01		İÇ CAM FİTİLİ / Inner Glazing Gasket	6x(G1+G2)
mt	EP60-04		KENET FİTİLİ / Central Locking Gasket	4 x SH
mt	INT1-01		KASA FİTİLİ / Frame Gasket	(6xFH) + (3xFW)
mt	KF 67-600		FİRÇA FİTİLİ / Brush Gasket - 6mm	8 x SH
mt	KF 67-700		FİRÇA FİTİLİ / Brush Gasket - 7mm	(2xFH)+(2xFW)
mt	KF 67-1000		FİRÇA FİTİLİ / Brush Gasket - 10mm	(4XSH)+(12XSW)

AKSESUARLAR / ACCESSORIES

4 Adet / Pos	MO60-01		ALT KENET KAPAĞI / Interlock Profile Cap-Bottom	
4 Adet / Pos	MO60-02		ÜST KENET KAPAĞI / Interlock Profile Cap-Top	
4 Adet / Pos	MO60-03		MO60-10 ALT KAPAK PROFİLİ / Bottom Cover Profile	
4 Adet / Pos	MO60-04		MO60-10 ÜST KAPAK PROFİLİ / Top Cover Profile	
4 Adet / Pos	MO60-06G		ÜST HAVA KESİCİ / Central Sealing - Top	
12 Adet / Pos	MO60-13		KANAT DENGELEME PLASTİĞİ / Sash Stabilization Spacer	
40 Adet / Pcs	ASI-SB 19.1		KÖŞE GÖNYESİ / Corner Alignment	
12 Adet / Pcs	ASI-PB 1126 ASI-KT 1126		KÖŞE TAKOZU veya PİMLİ BAĞLANTI / Corner Joint Pres or Pin	
12 Adet / Pos	ASI-KT 1429		KÖŞE TAKOZU / Pres Corner Joint	
24 Adet / Pos	ASI-KT 2307		KÖŞE TAKOZU / Pres Corner Joint	
6 Adet / Pcs	ASI-SR 04		İKİLİ RULMAN / Double Roller	
2 Adet / Pcs	ASH-ISP 15.3		İSPANYOLET KİLİTLEME / Multi Point Lock	
6 Adet / Pcs	ASH-ISP K03		İSPANYOLET KİLİT KARŞILIĞI / Multi Point Strike	
2 Adet / Pcs	ASH-WH 002		İSPANYOLET KİLİTLEME KOL / Window Handle	

2'Lİ RAYDA 3 LÜ KANAT KESİM ÖLÇÜLERİ 3 SASHES CUTTING SIZE FOR DOUBLE RAIL FRAME

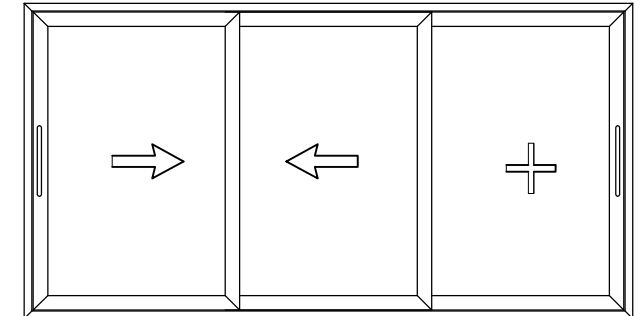


PROFİLLER / PROFILES					
NO / Number	ADET / Unit	KOD / Code	PROFİL ÇİZİMİ / Drawing	PROFİL TANIMI / Description	KESİM ÖLÇÜSÜ / Cutting Dimensions
1	2	LS60 02		DÜŞEY KASA PROFİLİ / Vertical Frame Profile	FH
2	2	LS60 02		YATAY KASA PROFİLİ / Horizontal Frame Profile	FW
3	6	LS60 11		DÜŞEY KANAT PROFİLİ / Vertical Sash Profile	SH=FH-67mm
4	6	LS60 11		YATAY KANAT PROFİLİ / Horizontal Frame Profile	SW=FW/3+37mm
5	4	LS60 42		KENET PROFİLİ / Central Locking Profile	LS60 42=SH
6	6	11_026		DÜŞEY CAM ÇİTASI / Vertical Glazing Bead	G1=SH-202mm
7	6	11_026		YATAY CAM ÇİTASI / Horizontal Glazing Bead	G2=SW-158m
8	2	LS60 44		İSPANYOLET KİLİTLEME KANAL PROFİLİ / Multi Lock Profile	SH - 500mm
8	1	LS60 43		3LÜ KANAT ADAPTÖR PROFİLİ / Adapter Profile	FH-84mm
PVC	3	MO60-10		KENET PVC PROFİL / Central Locking PVC Profile	SH
PVC	2	MO60-08		YATAY KASA KANAL PVC / Horizontal PVC Channel Profile	FW
PVC	2	MO60-08		YATAY KASA KANAL PVC / Horizontal PVC Channel Profile	FH
	2	ASI-INR 01		ÇELİK RAY PROFİLİ / Steel Rail Profile	FW-84mm

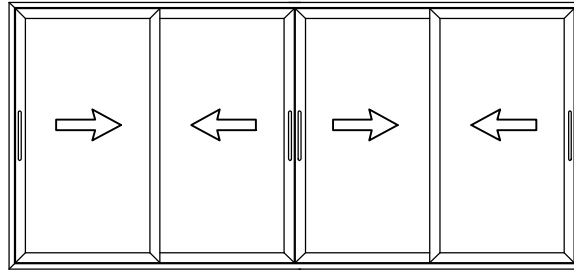
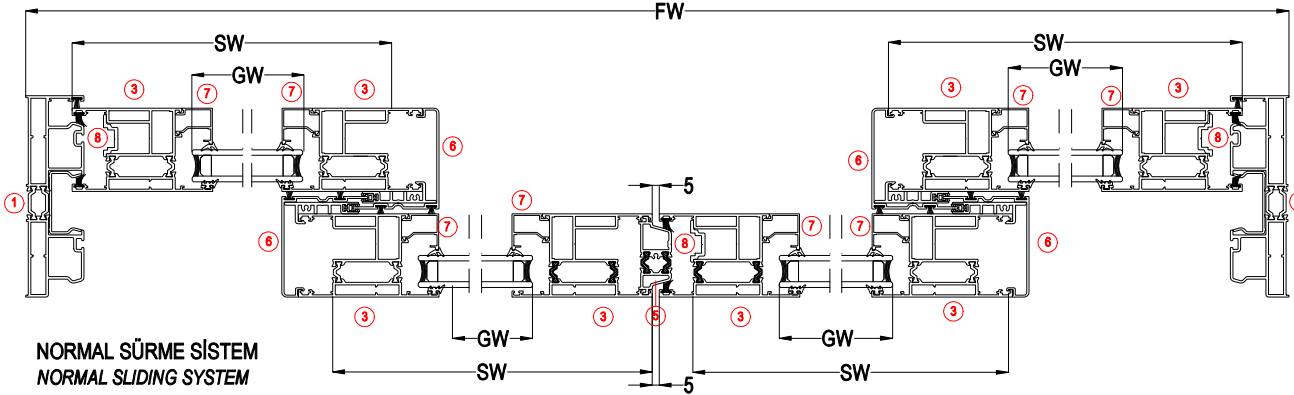
CAM KESİM ÖLÇÜLERİ / GLASS CUTTING SIZES		
KOD / Code	TANIMI / Description	KESİM ÖLÇÜSÜ / Cutting Dimensions
GW	CAM GENİŞLİK / Sash Glass Width	GW=SW-172mm
GH	CAM YÜKSEKLİK / Sash Glass Height	GH=SH-172mm

FİTİLLER / GASKETS				
MIKTAR / Unit	KOD / Code	PROFİL ÇİZİMİ / Drawing	PROFİL TANIMI / Description	KESİM ÖLÇÜSÜ / Cutting Dimensions
mt	EP1-01		DIŞ CAM FİTİLİ / Outer Glazing Gasket	6x(G1+G2)
mt	EP2-01		İÇ CAM FİTİLİ / Inner Glazing Gasket	6x(G1+G2)
mt	EP60-04		KENET FİTİLİ / Central Locking Gasket	3 x SH
mt	INT1-01		KASA FİTİLİ / Frame Gasket	(4xFH) + (2xFW)
mt	INT2-02		KANAL FİTİLİ / Adapter Gasket	1xSH
mt	KF 67-600		FİRÇA FİTİL / Brush Gasket - 6mm	6 x SH
mt	KF 67-700		FİRÇA FİTİL / Brush Gasket - 7mm	(2xFH)+(2xFW)
mt	KF 67-1000		FİRÇA FİTİL / Brush Gasket - 10mm	(6xSH)+(12xSW)

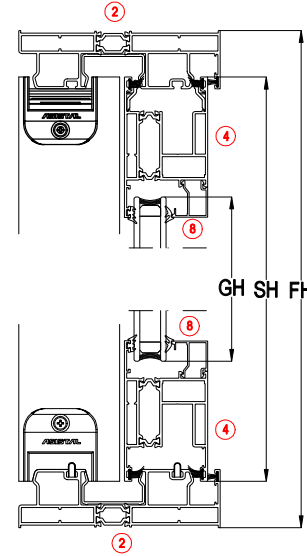
AKSESUARLAR / ACCESSORIES			
3 Adet / Pos	MO60-01		ALT KENET KAPAĞI / Interlock Profile Cap-Bottom
3 Adet / Pos	MO60-02		ÜST KENET KAPAĞI / Interlock Profile Cap-Top
3 Adet / Pos	MO60-03		MO60-10 ALT KAPAK PROFİLİ / Bottom Cover Profile
3 Adet / Pos	MO60-04		MO60-10 ÜST KAPAK PROFİLİ / Top Cover Profile
4 Adet / Pos	MO60-06G		ÜST HAVA KESİCİ / Central Sealing - Top
12 Adet / Pos	MO60-13		KANAT DENGELEME PLASTİĞİ / Sash Stabilization Spacer
40 Adet / Pos	ASI-SB 19.1		KÖŞE GÖNYESİ / Corner Alignment
8 Adet / Pos	ASI-PB 1126 ASI-KT 1126		KÖŞE TAKOZU veya PİMLİ BAĞLANTI / Corner Joint Pres or Pin
12 Adet / Pos	ASI-KT 1429		KÖŞE TAKOZU / Pres Corner Joint
24 Adet / Pos	ASI-KT 2307		KÖŞE TAKOZU / Pres Corner Joint
2 Adet / Pos	LS60-DB 3560		KANAT SABİTLEME PARÇASI / Sash Fixing
4 Adet / Pos	ASI-SR 04		İKİLİ RULMAN / Double Roller
2 Adet / Pos	ASI-ISP 15.3		İSPANYOLET KİLİTLEME / Multi Point Lock
6 Adet / Pos	ASI-ISP K03		İSPANYOLET KİLİT KARŞILIĞI / Multi Point Strike
2 Adet / Pos	ASI-WH 002		İSPANYOLET KİLİTLEME KOL / Window Handle



4 LÜ KANAT KESİM ÖLÇÜLERİ 4 SLIDING SASHES CUTTING SIZE



CAM KESİM ÖLÇÜLERİ / GLASS CUTTING SIZES		
KOD / Code	TANIMI / Description	KESİM ÖLÇÜSÜ / Cutting Dimensions
GW	CAM GENİŞLİK / Sash Glass Width	GW=SW-172mm
GH	CAM YÜKSEKLİK / Sash Glass Height	GH=SH-172mm



PROFİLLER / PROFILES

NO / Number	ADET / Unit	KOD / Code	PROFİL ÇİZİMİ / Drawing	PROFİL TANIMI / Description	KESİM ÖLÇÜSÜ / Cutting Dimensions
1	2	LS60 04		DÜŞEY KASA PROFİLİ / Vertical Frame Profile	FH
2	2	LS60 04		YATAY KASA PROFİLİ / Horizontal Frame Profile	FW
3	8	LS60 11		DÜŞEY KANAT PROFİLİ / Vertical Sash Profile	SH=FW-67mm
4	8	LS60 11		YATAY KANAT PROFİLİ / Horizontal Sash Profile	SW=FW+26,6mm
5	1	LS60-41		ADAPTÖR PROFİLİ / Adapter Profile	LS60 41=SH-50mm
6	4	LS60-42		KENET PROFİLİ / Central Locking Profile	LS40 42=SH
7	8	11_026		DÜŞEY CAM ÇİTASI / Vertical Glazing Bead	G1=SH-202mm
8	8	11_026		YATAY CAM ÇİTASI / Horizontal Glazing Bead	G2=SW-158mm
8	3	LS60 44		İSPANYOLET KİLİTLEME KANAL PROFİLİ / Multi Lock Profile	SH - 500mm
PVC	4	MO60-10		KENET PVC PROFİLİ / Central Locking PVC Profile	SH
PVC	2	MO60-08		YATAY KASA KANAL PVC / Horizontal PVC Channel Profile	SW
PVC	2	MO60-08		DÜŞEY KASA KANAL PVC / Vertical PVC Channel Profile	SH
	2	ASH-NR 01		ÇELİK RAY PROFİLİ / Steel Rail Profile	FW-84mm

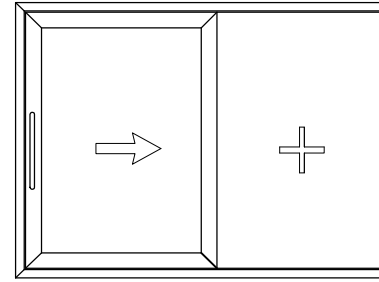
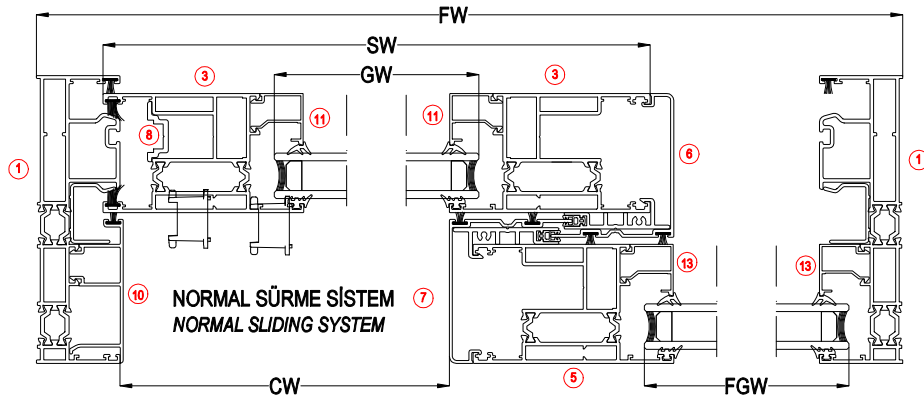
FİTİLLER / GASKETS

MİKTAR / Unit	KOD / Code	PROFİL ÇİZİMİ / Drawing	PROFİL TANIMI / Description	KESİM ÖLÇÜSÜ / Cutting Dimensions
mt	EP1-01		DIŞ CAM FİTİLİ / Outer Glazing Gasket	8x(G1+G2)
mt	EP2-01		İÇ CAM FİTİLİ / Inner Glazing Gasket	8x(G1+G2)
mt	EP60-04		KENET FİTİLİ / Central Locking Gasket	4 x SH
mt	EP60-05		KANAT FİTİLİ / Sash Gasket	2xSH
mt	INT1-01		KASA FİTİLİ / Frame Gasket	(4xFH) +(2x FW)
mt	KF 67-600		FİRÇA FİTİLİ / Brush Gasket - 6mm	8xSH
mt	KF 67-700		FİRÇA FİTİLİ / Brush Gasket - 7mm	(2xFH)+(2xFW)
mt	KF 67-1000		FİRÇA FİTİLİ / Brush Gasket - 10mm	(6xSH)+(16xSW)

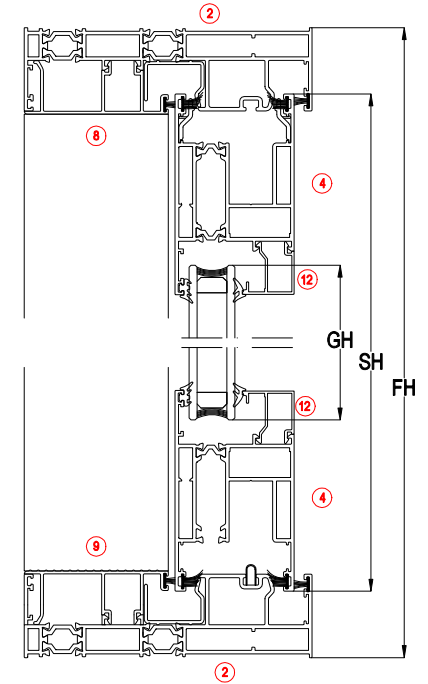
AKSESUARLAR / ACCESSORIES

4 Adet / Pcs	MO60-01		ALT KENET KAPAĞI / Interlock Profile Cap-Bottom	
4 Adet / Pcs	MO60-02		ÜST KENET KAPAĞI / Interlock Profile Cap-Top	
4 Adet / Pcs	MO60-03		MO60-10 ALT KAPAK PROFİLİ / Bottom Cover Profile	
4 Adet / Pcs	MO60-04		MO60-10 ÜST KAPAK PROFİLİ / Top Cover Profile	
4 Adet / Pcs	MO60-06G		ÜST HAVA KESİCİ / Central Sealing - Top	
2 Adet / Pcs	MO60-12		ADAPTÖR KAPAĞI / Adapter Cover	
16 Adet / Pcs	MO60-13		KANAT DENGELEME PLASTİĞİ / Sash Stabilization Spacer	
52 Adet / Pcs	ASI-SB 19.1		KÖŞE GÖNYESİ / Corner Alignment	
8 Adet / Pcs	ASI-PB 1126 ASI-KT 1126		KÖŞE TAKOZU veya PİMLİ BAĞLANTI / Corner Joint Press or Pin	
16 Adet / Pcs	ASI-KT 1429		KÖŞE TAKOZU / Pres Corner Joint	
32 Adet / Pcs	ASI-KT 2307		KÖŞE TAKOZU / Pres Corner Joint	
8 Adet / Pcs	ASI-SR 04		İKİLİ RULMAN / Double Roller	
3 Adet / Pcs	ASHSP 15.3		İSPANYOLET KİLİTLEME / Multi Point Lock	
9 Adet / Pcs	ASHSP K03		İSPANYOLET KİLİT KARŞILIĞI / Multi Point Strike	
4 Adet / Pcs	ASI-WH 002		İSPANYOLET KİLİTLEME KOL / Window Handle	

SABİTLİ KASADA 1 HAREKETLİ KANAT KESİM ÖLÇÜLERİ
1 SLIDING SASH IN FIXED FRAME CUTTING SIZE



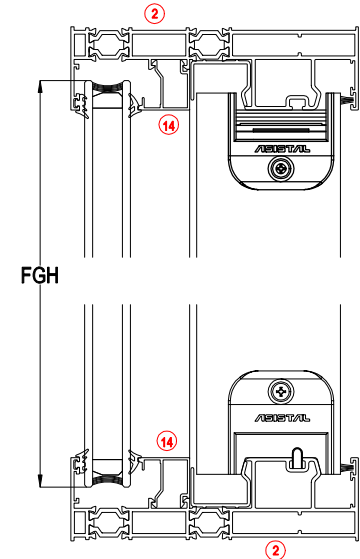
CAM KESİM ÖLÇÜLERİ / GLASS CUTTING SIZES (24mm CAM İÇİN/ 24mm Glazing)		
KOD / Code	TANIMI / Description	KESİM ÖLÇÜSÜ / Cutting Dimensions
GW	HAREKETLİ KANAT CAM GENİŞLİK / Sash Glass Width	GW=SW-172mm
GH	HAREKETLİ KANAT CAM YÜKSEKLİK / Sash Glass Height	GH=SH-172mm
FGW	SABİT KISIM CAM GENİŞLİK / Fixed Glass Width	FGW=FW/2-74mm
FGH	SABİT KISIM CAM YÜKSEKLİK / Fixed Glass Height	FGH=FH - 64mm



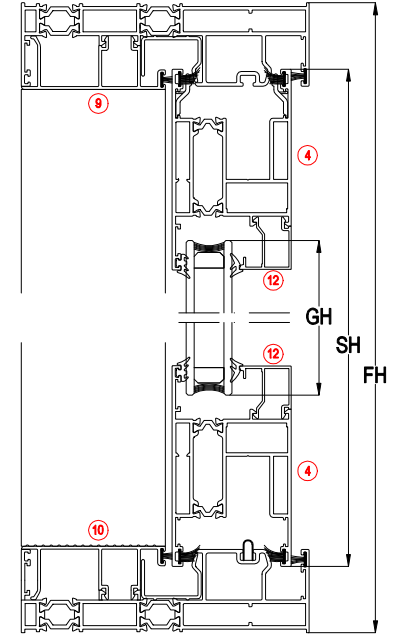
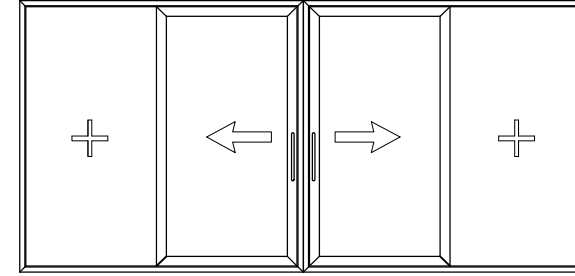
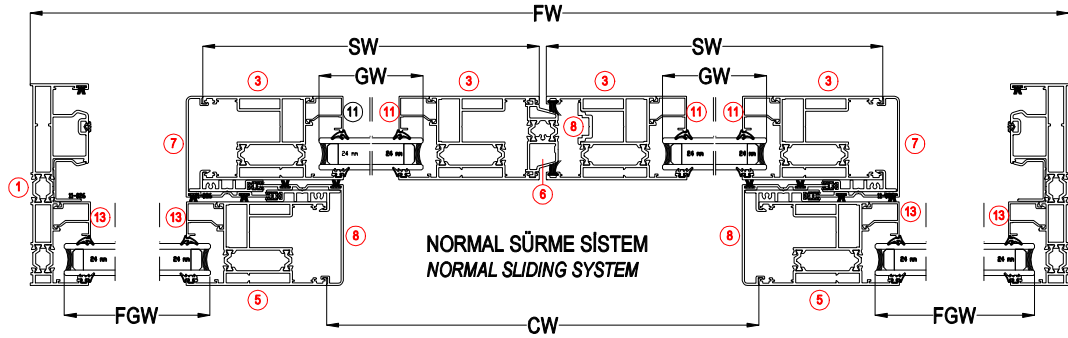
PROFİLLER / PROFILES					
NO / Number	ADET / Unit	KOD / Code	PROFİL ÇİZİMİ / Drawing	PROFİL TANIMI / Description	KESİM ÖLÇÜSÜ / Cutting Dimensions
1	2	LS60 04		DÜŞEY KASA PROFİLİ / Vertical Frame Profile	FH
2	2	LS60 04		YATAY KASA PROFİLİ / Horizontal Frame Profile	FW
3	2	LS60 11		DÜŞEY KANAT PROFİLİ / Vertical Sash Profile	SH=FW-67mm
4	2	LS60 11		YATAY KANAT PROFİLİ / Horizontal Sash Profile	SW=FW/2+11mm
5	1	LS60 11		ORTA KAYIT PROFİLİ / Transom Locking Profile	TH=FW-43mm
6	1	LS60 42		KENET PROFİLİ / Central Locking Profile	LS40 42-SH
7	1	LS60 42		ORTA KAYIT KENET PROFİLİ / Transom Cover	FH-43mm
8	1	LS60 31		ÜST KAPAK PROFİLİ / Top Cover Profile	CW=FW/2 - 100mm
9	1	LS60 32		ALT KAPAK PROFİLİ / Bottom Cover Profile	CW=FW/2 - 100mm
10	1	LS60 31		YAN KAPAK PROFİLİ / Side Cover Profile	CH=FW - 88 mm
11	2	11_026		DÜŞEY CAM ÇİTASI / Vertical Glazing Bead	G1=SH - 203mm
12	2	11_026		YATAY CAM ÇİTASI / Horizontal Glazing Bead	G2=SW - 159mm
13	2	11_026		SABİT DÜŞEY CAM ÇİTASI / Fixed Vertical Glazing Bead	G3=FW-87mm
14	2	11_026		SABİT YATAY CAM ÇİTASI / Fixed Horizontal Glazing Bead	G4=FW/2-56,5mm
15	1	LS60 44		İSPANYOLET KİLİTLEME KANAL PROFİLİ / Multi Lock Profile	SH - 500mm
PVC	2	MO60-10		KENET PVC PROFİLİ / Central Locking PVC Profile	SH
PVC	2	MO60-07		YATAY KASA KANAL PVC / Horizontal PVC Channel Profile	FW
PVC	2	MO60-07		DÜŞEY KASA KANAL PVC / Vertical PVC Channel Profile	FH
0	1	ASH-NR 01		ÇELİK RAY PROFİLİ / Steel Rail Profile	FW-84mm

FİTİLLER / GASKETS				
MİKTAR / Unit	KOD / Code	PROFİL ÇİZİMİ / Drawing	PROFİL TANIMI / Description	KESİM ÖLÇÜSÜ / Cutting Dimensions
mt	EP1-01		DIŞ CAM FİTİLİ / Outer Glazing Gasket	2x(G1+G2+G3+G4)
mt	EP2-01		İÇ CAM FİTİLİ / Inner Glazing Gasket	2x(G1+G2+G3+G4)
mt	EP60-04		KENET FİTİLİ / Central Locking Gasket	2 x SH
mt	INT1-01		KASA FİTİLİ / Frame Gasket	(2x FH) + FW
mt	KF 67-600		FİRÇA FİTİLİ / Brush Gasket - 6mm	4xSH
mt	KF 67-700		FİRÇA FİTİLİ / Brush Gasket - 7mm	(2x FH)+(2x FW)+CH+(2 x CW)
mt	KF 67-1000		FİRÇA FİTİLİ / Brush Gasket - 10mm	(2x SH)-(4x SW)

AKSESUARLAR / ACCESSORIES				
1 Adet / Pcs	MO60-01		ALT KENET KAPAĞI / Interlock Profile Cap-Bottom	
1 Adet / Pcs	MO60-02		ÜST KENET KAPAĞI / Interlock Profile Cap-Top	
1 Adet / Pcs	MO60-03		MO60-10 ALT KAPAK PROFİLİ / Bottom Cover Profile	
1 Adet / Pcs	MO60-04		MO60-10 ÜST KAPAK PROFİLİ / Top Cover Profile	
2 Adet / Pcs	MO60-06D		ÜST HAVA KESİCİ / Central Sealing - Top	
4 Adet / Pcs	MO60-13		KANAT DENGELEME PLASTİĞİ / Sash Stabilization Spacer	
2 Adet / Pcs	LS60-DB 3580		KANAT SABİTLEME PARÇASI / Sash Fixing Part	
20 Adet / Pcs	ASI-SB 19.1		KÖŞE GÖNYESİ / Corner Alignment	
8 Adet / Pcs	ASI-PB 1126 ASI-KT 1126		KÖŞE TAKOZU veya PİMLİ BAĞLANTI / Corner Joint Pres or Pin	
4 Adet / Pcs	ASI-KT 1429		KÖŞE TAKOZU / Pres Corner Joint	
8 Adet / Pcs	ASI-KT 2307		KÖŞE TAKOZU / Pres Corner Joint	
2 Adet / Pcs	ASI-SR 04		İKİLİ RULMAN / Double Roller	
1 Adet / Pcs	ASH-SP 15.3		İSPANYOLET KİLİTLEME / Multi Point Lock	
3 Adet / Pcs	ASH-SP K03		İSPANYOLET KİLİT KARŞILIĞI / Multi Point Strike	
1 Adet / Pcs	ASI-WH 002		İSPANYOLET KİLİTLEME KOL / Window Handle	



SABİTLİ KASADA 2 HAREKETLİ KANAT KESİM ÖLÇÜLERİ 2 SLIDING SASH IN FIXED FRAME CUTTING SIZE



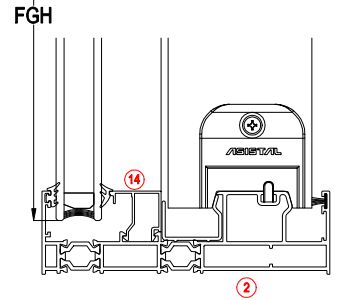
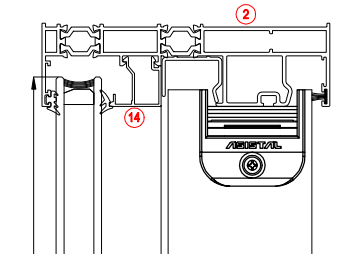
PROFİLLER / PROFILES					
NO / Number	ADET / Unit	KOD / Code	PROFİL ÇİZİMİ / Drawing	PROFİL TANIMI / Description	KESİM ÖLÇÜSÜ / Cutting Dimensions
1	2	LS80 04		DÜŞEY KASA PROFİLİ / Vertical Frame Profile	FH
2	2	LS80 04		YATAY KASA PROFİLİ / Horizontal Frame Profile	FW
3	4	LS80 11		DÜŞEY KANAT PROFİLİ / Vertical Sash Profile	SH=GH-87mm
4	4	LS80 11		YATAY KANAT PROFİLİ / Horizontal Sash Profile	SW=FW/4+25,4mm
5	2	LS80 11		ORTA KAYIT PROFİLİ / Transom Locking Profile	TH=GH-43mm
6	1	LS80 41		ADAPTÖR PROFİLİ / Adaptor Profile	LS80 41=SH-50mm
7	2	LS80 42		KENET PROFİLİ / Central Locking Profile	LS40 42=SH
8	2	LS80 42		ORTA KAYIT KENET PROFİLİ / Transom Cover	FH-43mm
9	1	LS80 31		ÜST KAPAK PROFİLİ / Top Cover Profile	CW=FW/2-149mm
10	1	LS80 32		ALT KAPAK PROFİLİ / Bottom Cover Profile	CW=FW/2-149mm
11	4	11_026		DÜŞEY CAM ÇITASI / Vertical Glazing Bead	G1=SH-203mm
12	4	11_026		YATAY CAM ÇITASI / Horizontal Glazing Bead	G2=SW-159mm
13	4	11_026		SABİT DÜŞEY CAM ÇITASI / Fixed Vertical Glazing Bead	G3=GH-87mm
14	4	11_026		SABİT YATAY CAM ÇITASI / Fixed Horizontal Glazing Bead	G4=FW/4-40mm
15	1	LS80 44		İSPANYOLET KİLİTLEME KANAL PROFİLİ / Multi Lock Profile	SH - 500mm
PVC	4	MO60-10		KENET PVC PROFİLİ / Central Locking PVC Profile	SH
PVC	2	MO60-07		YATAY KASA KANAL PVC / Horizontal PVC Channel Profile	FW
PVC	2	MO60-07		DÜŞEY KASA KANAL PVC / Vertical PVC Channel Profile	FH
0	1	ASI-NR 01		ÇELİK RAY PROFİLİ / Steel Rail Profile	FW-84mm

FİTİLLER / GASKETS				
MİKTAR / Unit	KOD / Code	PROFİL ÇİZİMİ / Drawing	PROFİL TANIMI / Description	KESİM ÖLÇÜSÜ / Cutting Dimensions
mt	EP1-01		DIŞ CAM FİTİLİ / Outer Glazing Gasket	4x(G1+G2+G3+G4)
mt	EP2-01		İÇ CAM FİTİLİ / Inner Glazing Gasket	4x(G1+G2+G3+G4)
mt	EP60-04		KENET FİTİLİ / Central Locking Gasket	4 x SH
mt	INT1-01		KASA FİTİLİ / Frame Gasket	(2xGH) + FW
mt	KF 67-600		FİRÇA FİTİLİ / Brush Gasket - 6mm	8xSH
mt	KF 67-700		FİRÇA FİTİLİ / Brush Gasket - 7mm	(2xGH)+(2xFW)+(2xCW)
mt	KF 67-1000		FİRÇA FİTİLİ / Brush Gasket - 10mm	2xSH+8xSW

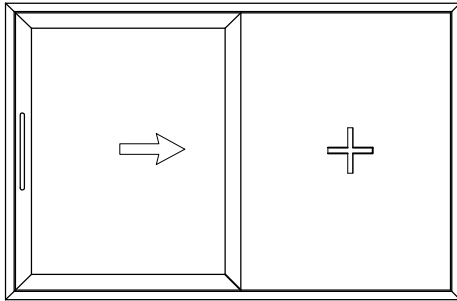
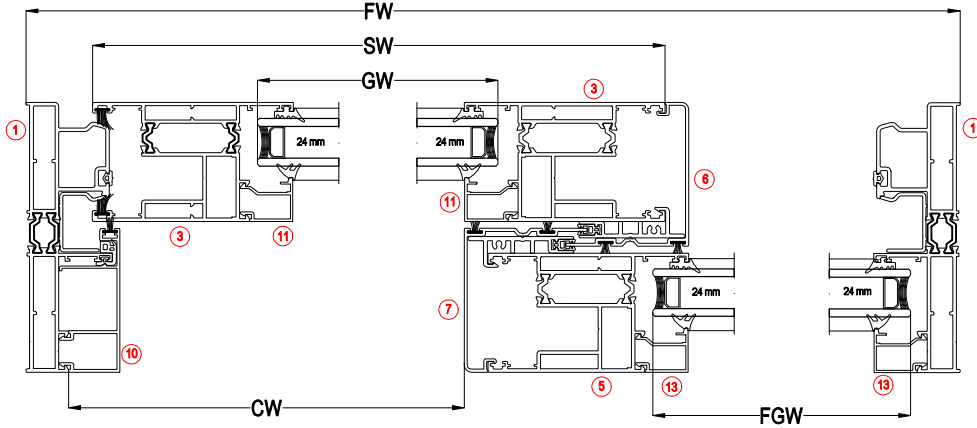
AKSESUARLAR / ACCESSORIES				
2 Adet / Pos	MO60-01		ALT KENET KAPAĞI / Interlock Profile Cap-Bottom	
2 Adet / Pos	MO60-02		ÜST KENET KAPAĞI / Interlock Profile Cap-Top	
2 Adet / Pos	MO60-03		MO60-10 ALT KAPAK PROFİLİ / Bottom Cover Profile	
2 Adet / Pos	MO60-04		MO60-10 ÜST KAPAK PROFİLİ / Top Cover Profile	
4 Adet / Pos	MO60-06D		ÜST HAVA KESİCİ / Central Sealing - Top	
2 Adet / Pos	MO60-12		ADAPTÖR KAPAĞI / Adaptor Cover	
8 Adet / Pos	MO60-13		KANAT DENGELEME PLASTİĞİ / Sash Stabilization Spacer	
4 Adet / Pos	LS60-DB 3560		KANAT SABİTLEME PARÇASI / Sash Fixing Part	
32 Adet / Pos	ASI-SB 19.1		KÖŞE GÖNYESİ / Corner Alignment	
8 Adet / Pos	ASI-PB 1126 ASI-KT 1126		KÖŞE TAKOZU veya PİMLİ BAĞLANTI / Corner Joint Press or Pin	
8 Adet / Pos	ASI-KT 1429		KÖŞE TAKOZU / Press Corner Joint	
16 Adet / Pos	ASI-KT 2307		KÖŞE TAKOZU / Press Corner Joint	
4 Adet / Pos	ASI-SR 04		İKİLİ RULMAN / Double Roller	
1 Adet / Pos	ASI-İSP 15.3		İSPANYOLET KİLİTLEME / Multi Point Lock	
3 Adet / Pos	ASI-İSP K03		İSPANYOLET KİLİT KARŞILIĞI / Multi Point Strike	
2 Adet / Pos	ASI-WH 002		İSPANYOLET KİLİTLEME KOL / Window Handle	

CAM KESİM ÖLÇÜLERİ / GLASS CUTTING SIZES (24mm CAM İÇİN 24mm Glazing)

KOD / Code	TANIMI / Description	KESİM ÖLÇÜSÜ / Cutting Dimensions
GW	HAREKETLİ KANAT CAM GENİŞLİK / Sash Glass Width	GW=SW-172mm
GH	HAREKETLİ KANAT CAM YÜKSEKLİK / Sash Glass Height	GH=SH-172mm
FGW	SABİT KISIM CAM GENİŞLİK / Fixed Glass Width	FGW=FW/4 - 57mm
FGH	SABİT KISIM CAM YÜKSEKLİK / Fixed Glass Height	FGH=GH-84mm

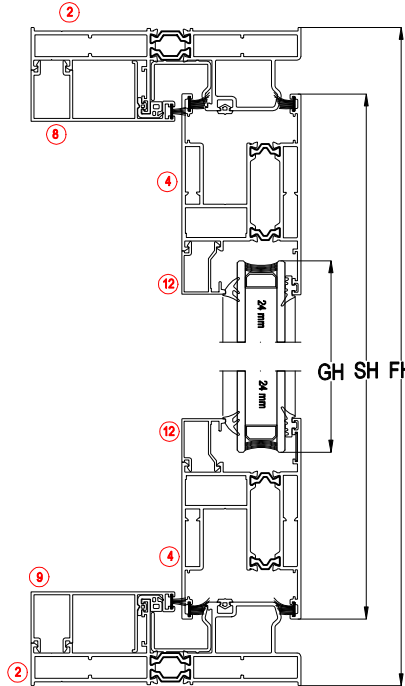
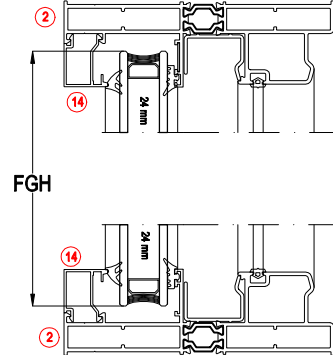


HAREKETLİ KANADI DIŞARIDA OLAN MONORAIL SİSTEM MONORAIL SYSTEM WITH SLIDING SASH OUTSIDE



CAM KESİM ÖLÇÜLERİ / GLASS CUTTING SIZES (24mm CAM İÇİN/24mm Glazing)

KOD / Code	TANIMI / Description	KESİM ÖLÇÜSÜ / Cutting Dimensions
GW	HAREKETLİ KANAT CAM GENİŞLİK / Sash Glass Width	GW=SW-172,06mm
GH	HAREKETLİ KANAT CAM YÜKSEKLİK / Sash Glass Height	GH=SH-172,06mm
FGW	SABİT KISIM CAM GENİŞLİK / Fixed Glass Width	FGW=FW2-115,54mm
FGH	SABİT KISIM CAM YÜKSEKLİK / Fixed Glass Height	FGH=FW2-115,54mm

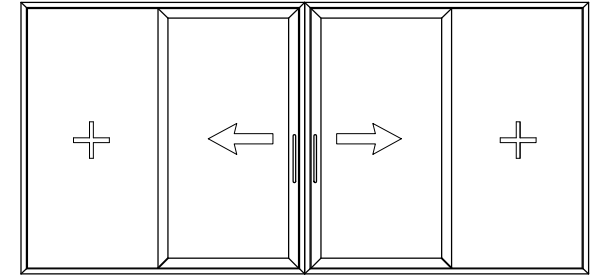
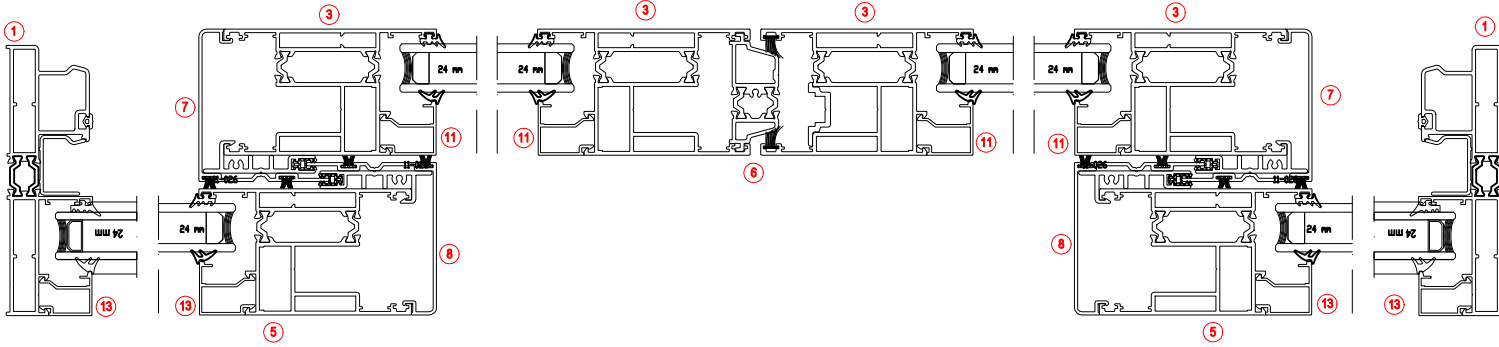


PROFİLLER / PROFILES					
NO / Number	ADET / Unit	KOD / Code	PROFİL ÇİZİMİ / Drawing	PROFİL TANIMI / Description	KESİM ÖLÇÜSÜ / Cutting Dimensions
1	2	LS60 08		DÜŞEY KASA PROFİLİ / Vertical Frame Profile	FH
2	2	LS60 08		YATAY KASA PROFİLİ / Horizontal Frame Profile	FW
3	2	LS60 11		DÜŞEY KANAT PROFİLİ / Vertical Sash Profile	SH=FW-87,14mm
4	2	LS60 11		YATAY KANAT PROFİLİ / Horizontal Frame Profile	SW=FW2-58,86mm
5	1	LS60 11		ORTA KAYIT PROFİLİ / Transom Locking Profile	TH=FW-43mm
6	1	LS60 42		KENET PROFİLİ / Central Locking Profile	LS40 42=SH
7	1	LS60 42		ORTA KAYIT KENET PROFİLİ / Transom Cover	FH-43mm
8	1	LS60 40		ÜST KAPAK PROFİLİ / Top Cover Profile	CW=FW2 - 32,23mm
9	1	LS60 40		ALT KAPAK PROFİLİ / Bottom Cover Profile	CW=FW2 - 32,23mm
10	1	LS60 40		YAN KAPAK PROFİLİ / Side Cover Profile	CH=FW - 84,56mm
11	2	11_022		DÜŞEY CAM ÇİTASI / Vertical Glazing Bead	G1=SH - 207,8mm
12	2	11_022		YATAY CAM ÇİTASI / Horizontal Glazing Bead	G2=SW - 203,06mm
13	2	11_022		SABİT DÜŞEY CAM ÇİTASI / Fixed Vertical Glazing Bead	G3=FW-86,84mm
14	2	11_022		SABİT YATAY CAM ÇİTASI / Fixed Horizontal Glazing Bead	G4=FW2-87,47mm
	2	MO60-10		KENET PVC PROFİLİ / Central Locking PVC Profile	SH
0	2	MO60-07		YATAY KASA KANAL PVC / Horizontal PVC Channel Profile	FW
0	2	MO60-07		DÜŞEY KASA KANAL PVC / Vertical PVC Channel Profile	FH
0	1	ASH-IR 01		ÇELİK RAY PROFİLİ / Steel Rail Profile	FW-72mm

FİTİLLER / GASKETS					
MİKTAR / Unit	KOD / Code	PROFİL ÇİZİMİ / Drawing	PROFİL TANIMI / Description	KESİM ÖLÇÜSÜ / Cutting Dimensions	
mt	EP1-01		DIŞ CAM FİTİLİ / Outer Glazing Gasket	2x(G1+G2+G3+G4)	
mt	EP2-01		İÇ CAM FİTİLİ / Inner Glazing Gasket	2x(G1+G2+G3+G4)	
mt	EP08-04		KENET FİTİLİ / Central Locking Gasket	2 x SH	
mt	EP08-03		SABİT ÇİTA FİTİLİ / Fixed Frame Gasket	CW	
mt	INT1-01		KASA FİTİLİ / Frame Gasket	(2FH) + FW	
mt	EP06-03		KANAT ÜST FİTİLİ / Sash Gasket	2xSW	
mt	KF 87-800		FİRÇA FİTİLİ / Brush Gasket - 6mm	4xSH	
mt	KF 87-700		FİRÇA FİTİLİ / Brush Gasket - 7mm	(2xFH)+(2xFW)+CH+(2x CW)	
mt	KF 87-1000		FİRÇA FİTİLİ / Brush Gasket - 10mm	(2xSH)+(4xSW)	

AKSESUARLAR / ACCESSORIES					
1 Adet / Pcs	MO60-01		ALT KENET KAPAĞI / Interlock Profile Cap-Bottom		
1 Adet / Pcs	MO60-02		ÜST KENET KAPAĞI / Interlock Profile Cap-Top		
1 Adet / Pcs	MO60-03		MO60-10 ALT KAPAK PROFİLİ / Bottom Cover Profile		
1 Adet / Pcs	MO60-04		MO60-10 ÜST KAPAK PROFİLİ / Top Cover Profile		
1 Adet / Pcs	MO60-05D		ALT HAVA KESİCİ / Central Sealing - Bottom		
1 Adet / Pcs	MO60-06D		ÜST HAVA KESİCİ / Central Sealing - Top		
4 Adet / Pcs	MO60-13		KANAT DENGELEME PLASTİĞİ / Sash Stabilization Spacer		
2 Adet / Pcs	LS60-DB 3560		KANAT SABİTLEME PARÇASI / Sash Fixing Part		
20 Adet / Pcs	ASH-SB 19.1		KÖŞE GÖNYESİ / Corner Alignment		
8 Adet / Pcs	ASH-PB 1128 ASH-KT 1128		KÖŞE TAKOZU veya PİMLİ BAĞLANTI / Corner Joint Press or Pin		
4 Adet / Pcs	ASH-KT 1429		KÖŞE TAKOZU / Press Corner Joint		
8 Adet / Pcs	ASH-KT 2307		KÖŞE TAKOZU / Press Corner Joint		
2 Adet / Pcs	ASH-SR 04		İKİLİ RULMAN / Double Roller		
3 Adet / Pcs	ASH-SP K03		İSPANYOLET KİLİT KARŞILIĞI / Multi Point Strike		
3 Adet / Pcs	ASH-SP K03		İSPANYOLET KİLİT KARŞILIĞI / Multi Point Strike		
2 Adet / Pcs	ASH-WH 002		İSPANYOLET KİLİTLEME KOL / Window Handle		

HAREKETLİ KANADI DIŞARIDA KASADA 2 HAREKETLİ KANAT KESİM ÖLÇÜLERİ
MONORAIL SYSTEM WITH SLIDING SASH OUTSIDE
2 SLIDING SASH IN FIXED FRAME CUTTING SIZE



PROFİLLER / PROFILES					
NO / Number	ADET / Unit	KOD / Code	PROFİL ÇİZİMİ / Drawing	PROFİL TANIMI / Description	KESİM ÖLÇÜSÜ / Cutting Dimensions
1	2	LS80 08		DÜŞEY KASA PROFİLİ / Vertical Frame Profile	FH
2	2	LS80 08		YATAY KASA PROFİLİ / Horizontal Frame Profile	FW
3	4	LS80 11		DÜŞEY KANAT PROFİLİ / Vertical Sash Profile	SH=FH-87mm
4	4	LS80 11		YATAY KANAT PROFİLİ / Horizontal Sash Profile	SW=FW/4+77,7mm
5	2	LS80 11		ORTA KAYIT PROFİLİ / Transom Locking Profile	TH=FH-43mm
6	1	LS80 41		ADAPTÖR PROFİLİ / Adaptor Profil	LS80 41=SH-50mm
7	2	LS80 42		KENET PROFİLİ / Central Locking Profile	LS40 42=SH
8	2	LS80 42		ORTA KAYIT KENET PROFİLİ / Transom Cover	FH-43mm
9	1	LS80 40		ÜST KAPAK PROFİLİ / Top Cover Profile	CW=FW/2-53,12mm
10	1	LS80 40		ALT KAPAK PROFİLİ / Bottom Cover Profile	CW=FW/2-53,12mm
11	4	11_022		DÜŞEY CAM ÇİTASI / Vertical Glazing Bead	G1=SH-202mm
12	4	11_022		YATAY CAM ÇİTASI / Horizontal Glazing Bead	G2=SW-167,5mm
13	4	11_022		SABİT DÜŞEY CAM ÇİTASI / Fixed Vertical Glazing Bead	G3=FH-87mm
14	4	11_022		SABİT YATAY CAM ÇİTASI / Fixed Horizontal Glazing Bead	G4=FW/4-91,12mm
15	1	LS80 44		İSPANYOLET KİLİTLEME KANAL PROFİLİ / Multi Lock Profile	SH - 500mm
PVC	4	MO60-10		KENET PVC PROFİLİ / Central Locking PVC Profile	SH
PVC	2	MO60-07		YATAY KASA KANAL PVC / Horizontal PVC Channel Profile	FW
PVC	2	MO60-07		DÜŞEY KASA KANAL PVC / Vertical PVC Channel Profile	FH
0	1	ASH-NR 01		ÇELİK RAY PROFİLİ / Steel Rail Profile	FW-73mm

CAM KESİM ÖLÇÜLERİ / GLASS CUTTING SIZES (24mm CAM İÇİN/ 24mm Glazing)		
KOD / Code	TANIMI / Description	KESİM ÖLÇÜSÜ / Cutting Dimensions
GW	HAREKETLİ KANAT CAM GENİŞLİK / Sash Glass Width	GW=SW-177,2mm
GH	HAREKETLİ KANAT CAM YÜKSEKLİK / Sash Glass Height	GH=SH-167,5mm
FGW	SABİT KISIM CAM GENİŞLİK / Fixed Glass Width	FGW=FW/4 - 99,5mm
FGH	SABİT KISIM CAM YÜKSEKLİK / Fixed Glass Height	FGH=FH-50mm

FİTİLLER / GASKETS				
MİKTAR / Unit	KOD / Code	PROFİL ÇİZİMİ / Drawing	PROFİL TANIMI / Description	KESİM ÖLÇÜSÜ / Cutting Dimensions
mt	EP1-01		DIŞ CAM FİTİLİ / Outer Glazing Gasket	4x(G1+G2+G3+G4)
mt	EP2-01		İÇ CAM FİTİLİ / Inner Glazing Gasket	4x(G1+G2+G3+G4)
mt	EP80-04		KENET FİTİLİ / Central Locking Gasket	4 x SH
mt	EP38-03		SABİT ÇİTA FİTİLİ / Fixed Frame Gasket	2xSH+6xSW
mt	INT1-01		KASA FİTİLİ / Frame Gasket	(2xFH) + FW
mt	KF 67-600		FİRÇA FİTİLİ / Brush Gasket - 6mm	8xSH
mt	KF 67-700		FİRÇA FİTİLİ / Brush Gasket - 7mm	(2xFH)+(2xFW)+(2xCW)
mt	KF 67-1000		FİRÇA FİTİLİ / Brush Gasket - 10mm	(8xSW+2xSH)

AKSESUARLAR / ACCESSORIES				
2 Adet / Pos	MO60-01		ALT KENET KAPAĞI / Interlock Profile Cap-Bottom	
2 Adet / Pos	MO60-02		ÜST KENET KAPAĞI / Interlock Profile Cap-Top	
2 Adet / Pos	MO60-03		MO60-10 ALT KAPAK PROFİLİ / Bottom Cover Profile	
2 Adet / Pos	MO60-04		MO60-10 ÜST KAPAK PROFİLİ / Top Cover Profile	
4 Adet / Pos	MO60-06D		ÜST HAVA KESİCİ / Central Sealing - Top	
2 Adet / Pos	MO60-12		ADAPTÖR KAPAĞI / Adaptor Cover	
8 Adet / Pos	MO60-13		KANAT DENGESİLEME PLASTİĞİ / Sash Stabilization Spacer	
4 Adet / Pos	LS80-DB 3560		KANAT SABİTLEME PARÇASI / Sash Fixing Part	
32 Adet / Pos	ASI-SB 19.1		KÖŞE GÖNYESİ / Corner Alignment	
8 Adet / Pos	ASI-PB 1126 ASI-KT 1126		KÖŞE TAKOZU veya PİMLİ BAĞLANTI / Corner Joint Pres or Pin	
8 Adet / Pos	ASI-KT 1429		KÖŞE TAKOZU / Pres Corner Joint	
16 Adet / Pos	ASI-KT 2307		KÖŞE TAKOZU / Pres Corner Joint	
4 Adet / Pos	ASI-SR 04		İKİLİ RULMAN / Double Roller	
1 Adet / Pos	ASI-HSP 15.3		İSPANYOLET KİLİTLEME / Multi Point Lock	
3 Adet / Pos	ASI-HSP K03		İSPANYOLET KİLİT KARŞILIĞI / Multi Point Strike	
2 Adet / Pos	ASI-WH 002		İSPANYOLET KİLİTLEME KOL / Window Handle	

