

SL55

The Infinity

ID

- Minimal design for modern architecture
- Impressive transparency and maximum light penetration
- Exceptional thermal and acoustic insulation
- Wide open spans maintain the sleek minimal look
- Expanded range of tracks fulfil countless architectural desires
- Possibility for floor-to-ceiling and wall-to-wall frames
- Designed handle and multi-point locking system
- Roller system that allows smooth sliding and operation
- Ideally suited for luxury residential and commercial environments

The SL55 Infinity is a top-notch proposal for structures in absolute minimal design. All design elements strive to convey the message of simplicity, allowing for light, form, material, space, and nature to provide the very best of living conditions.

With SL55 Infinity, carefully applied minimalist principles increase the degree of freedom enjoyed by developers and architects to make attractive and effective buildings so that people can live in greater comfort, more style, and infinite views.

TC

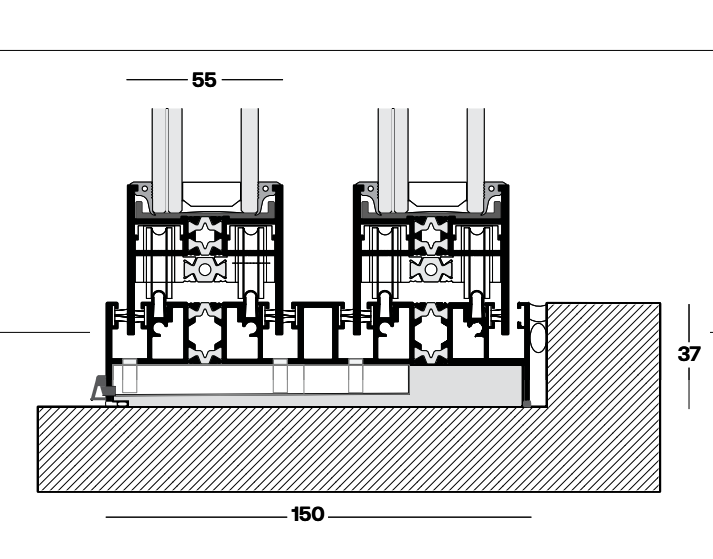
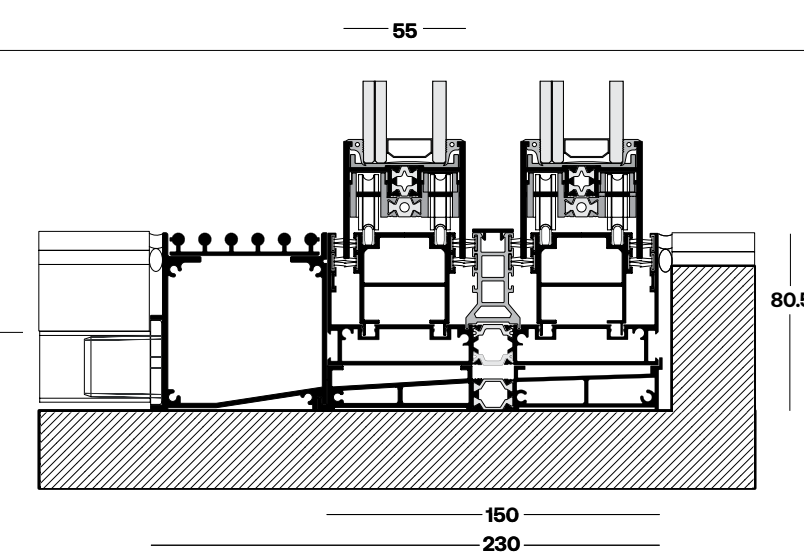
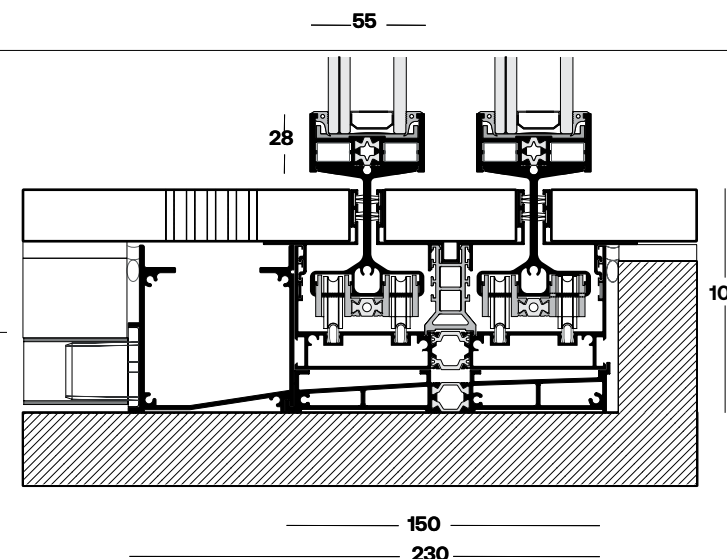
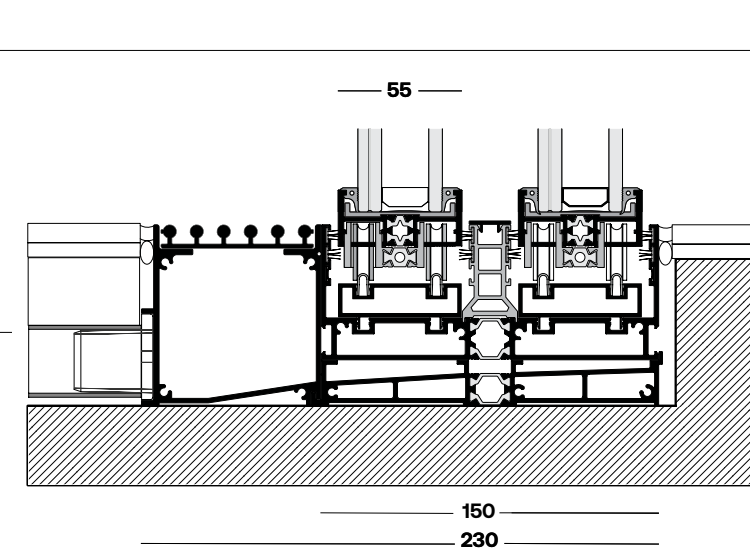
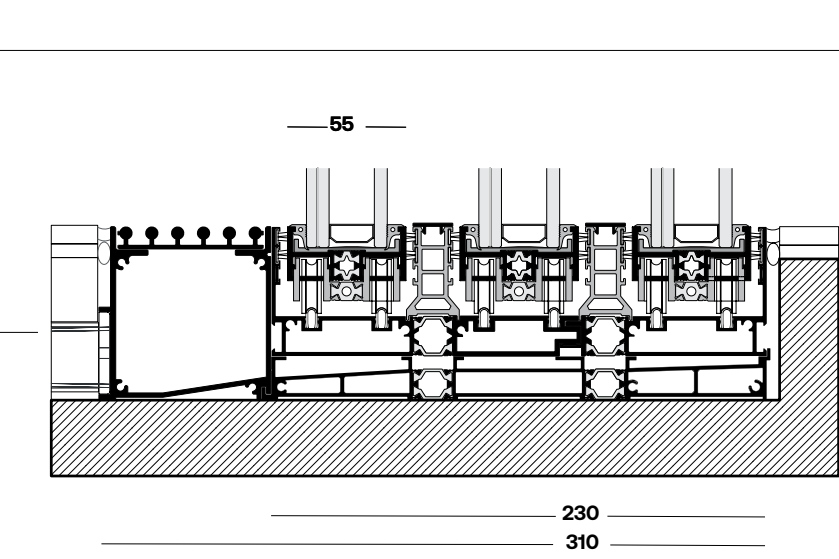
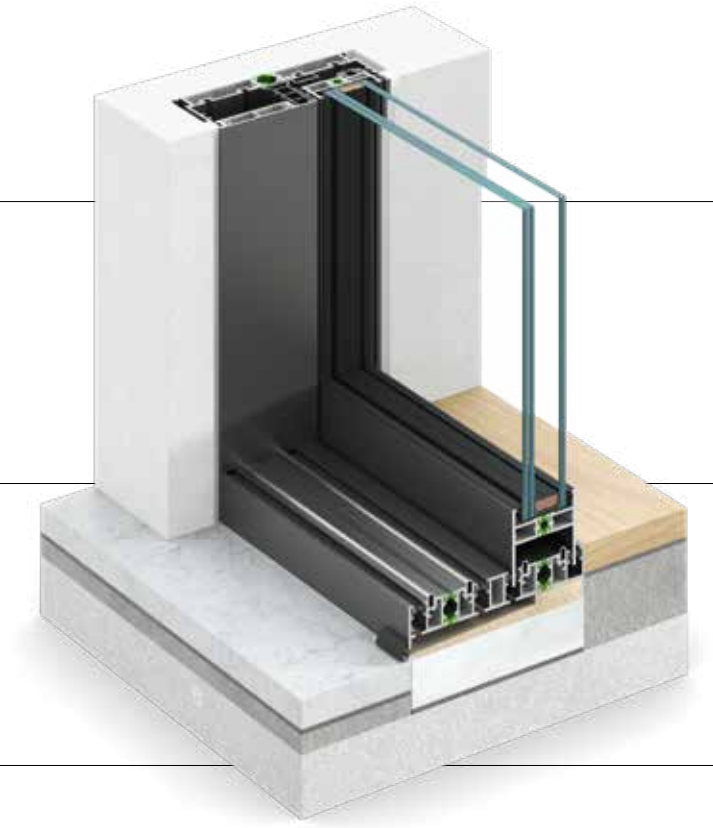
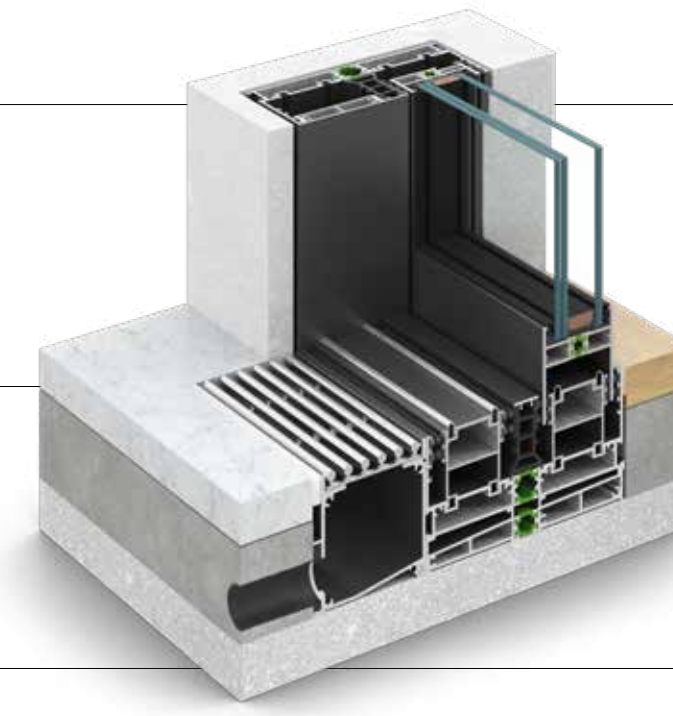
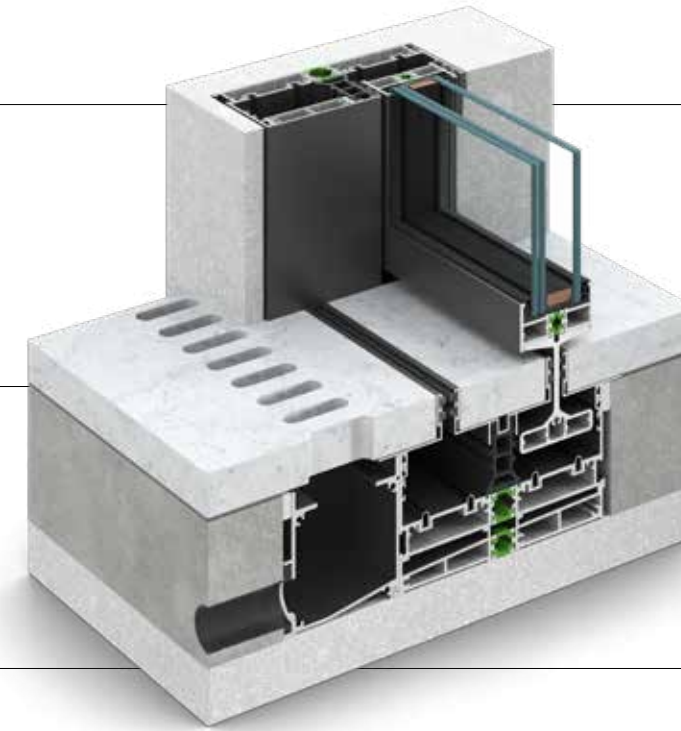
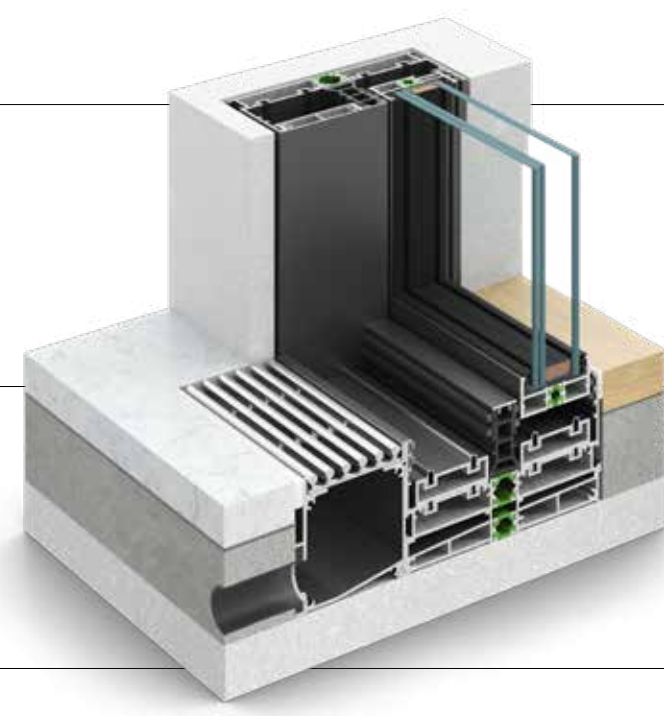
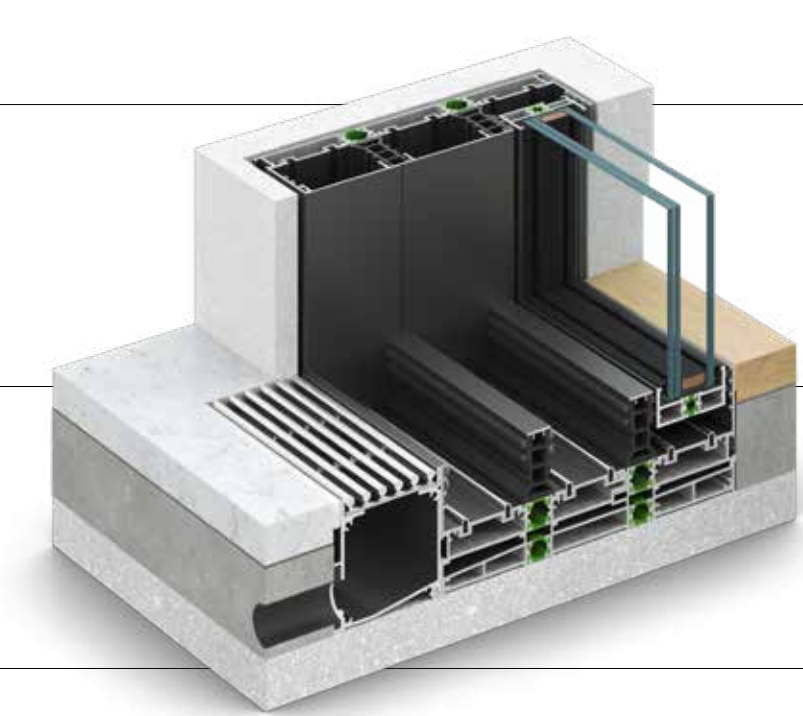
Hidden Sash

Visible Sash

Hidden Track

Flat Track

Low Flat Track

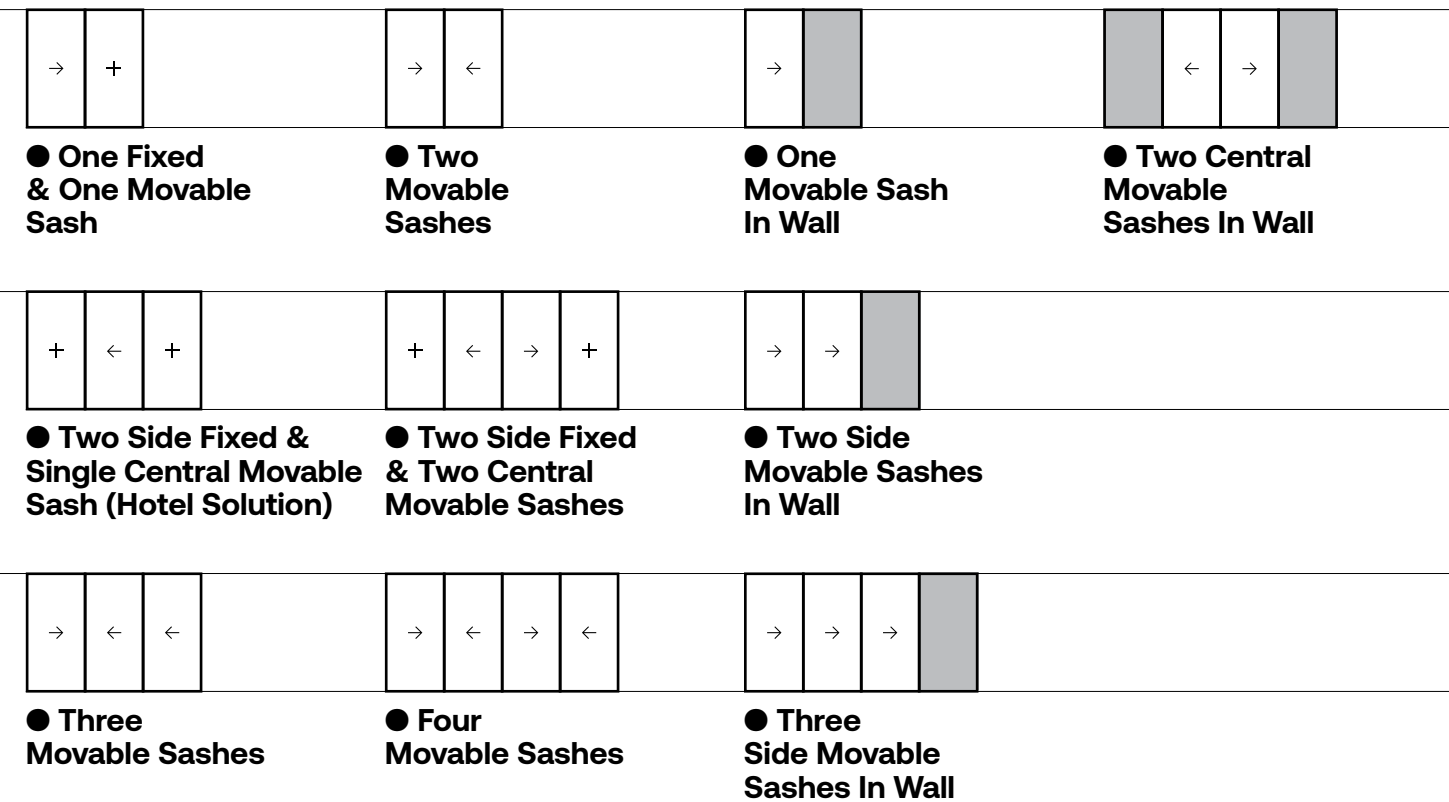




System Configurations



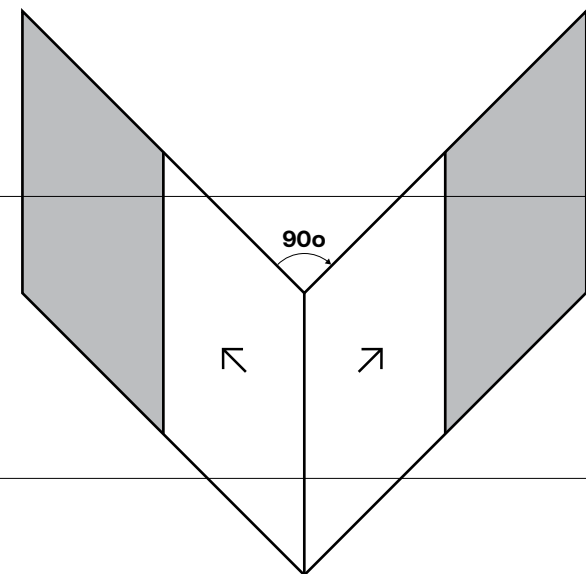
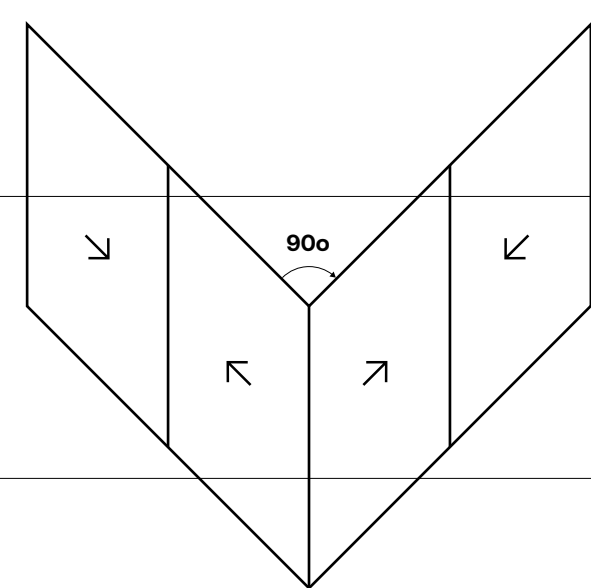
Technical Data



○ Category

▾ Value

- Exterior Aesthetics → Flat / Minimal with concealed frames and flush-fitted threshold
- Track Editions → Hidden sash / Visible sash / Flat track / Low flat track / Hidden track
- Frame Depth → 150 mm
- Sash Depth → 55 mm
- Face Height (Flat track edition) → 41 mm
- Visible Aluminum Face Width (Interlock) → 25 mm
- Visible Aluminum Face Width (Meeting Stile) → 60 mm
- Maximum Sash Surface → Up to 10 m² per sash
- Maximum Sash Weight → Up to 400 kg per sash
- Sealing Method → Perimetrical, with 2-level of silicone treated weather strips
- Hardware → ALUMINCO Multipoint locking, Roller system
- Glass Type → Double / Triple
- Glass Thicknesses → From 37.5 mm to 41.5 mm
- Type Of Thermal Insulation → Polyamides 18 mm



System Performances

○ Category

▾ Value

- Thermal → Uf values from 1.4 W/(m²K)
- Air Permeability → Class 4
- Water Tightness → Class 6A
- Wind Load Resistance → Class B3
- Acoustic → 45 dB

● Corner With Four Movable Sashes

● Corner With Four Movable Sashes In Wall

