

ENTRANCE DOOR



D90

High-Standards Insulated Entrance Doors System
Outstanding thermal insulating values.



System Identity

ALUMINCO's system D90, ensures the very best thermal insulation values when it comes to entrance doors along with the highest performance demands and exceptional architectural design.

The system incorporates the best and most solid profiles of perfect flat design, with multi infill options including glazing or aluminum panels, in order to fulfil the most demanding specifications. Enhanced security features and functions are an additional impressive element of the D90 system that meet current trends and increasing requirements in terms of safety and ease of use.

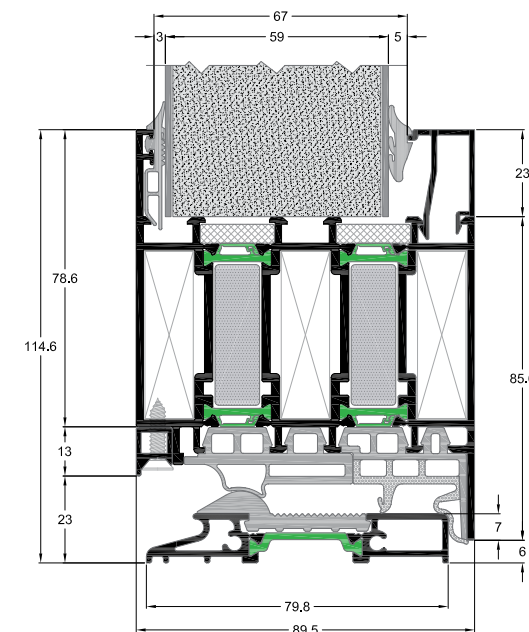
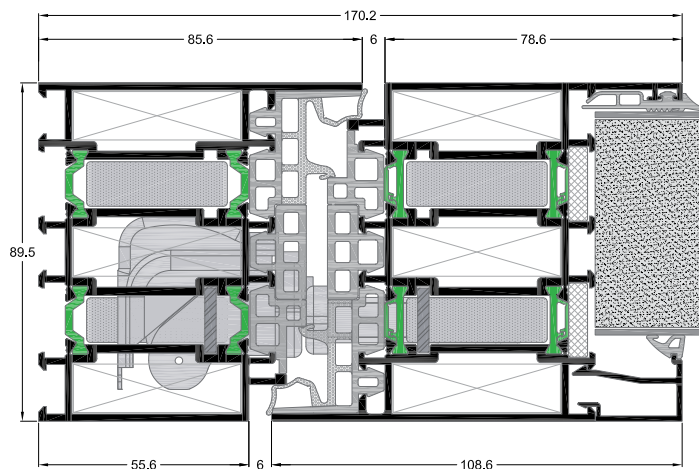
The system's exceptional properties ensure optimum sealing against wind, rain and minimum air infiltration. The ALUMINCO D90 system is fully compatible with the ALUMINCO W4900 hinged windows series, offering the best-performance solution for residential and commercial buildings, ideal not only for new constructions but also for refurbishments.

Features & Benefits

- Outstanding thermal insulation coefficient $U_d=0.79 \text{ W/m}^2\text{K}$
- Dual layer polyamides, 18 mm for increased performance and minimization of the bimetallic effect.
- Optional insulation zone with foam filling ensures the highest level of thermal insulation.
- 3 sealing levels with EPDM gaskets and a special EPDM foam gasket provide optimum water tightness.
- Top security features achieved by the 3-point security locks and door hinges that can be either concealed or surface-mounted.
- Continuous low threshold of 13 mm height increases stability, enhances water tightness and minimizes energy loss.
- Aluminum panels or glazing infills provide multiple design options.

Configurations

Doors: 1Leaf - 2Leaf with fixed W4900



INSULATION	
DUAL LAYER POLYAMIDES mm	18
FOAM	■

SYSTEM PROFILE DIMENSIONS	
MIN. FRAME DEPTH mm	89.5
MIN. FACE HEIGHT mm	170.2
GLASS THICKNESS mm	60

CONSTRUCTION DIMENSIONS	
SASH WIDTH mm	1400
SASH HEIGHT mm	3000
MAX. SASH WEIGHT Kg	200

CERTIFICATES/PERFORMANCES	
BURGLAR RESISTANCE EN 1627	RC2
THERMAL INSULATION U_f EN ISO 10077-2	1.6-1.8 $\text{W/m}^2\text{K}$



Rate of Insulation

$U_d=0.79 \text{ W/m}^2\text{K}$

Thermal conductivity coefficient has calculated for the construction:
1300x2500 with $U_p=0.33 \text{ W/m}^2\text{K}$
Type of panel: 2/85.5/2